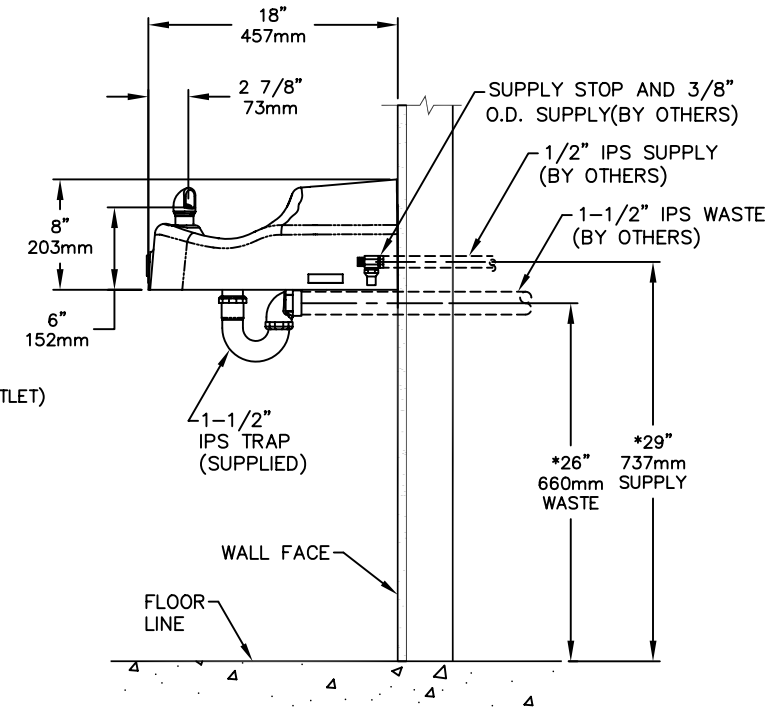
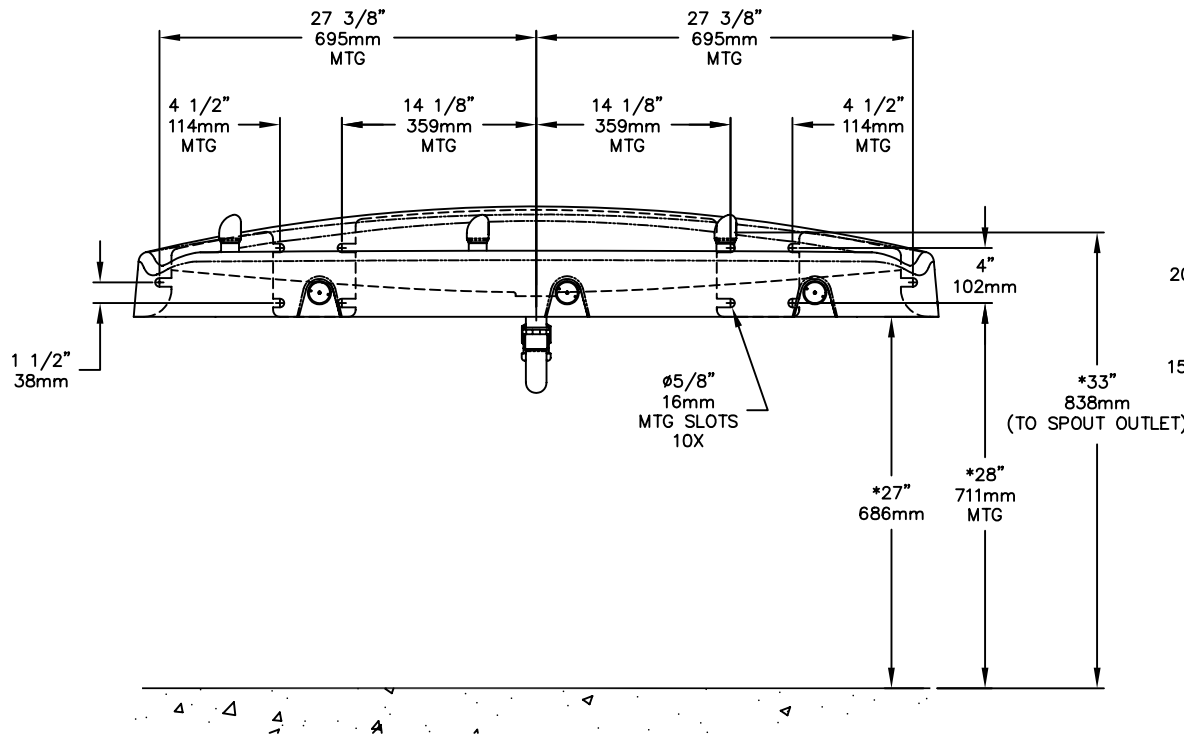


NOTES:

1. HOLD ROUGH-IN DIMENSIONS ±1/4" (6.4mm).
2. WHEN INSTALLING THIS UNIT, LOCAL, STATE, OR FEDERAL CODES SHOULD BE ADHERED TO. FOR INSTALLATION HEIGHTS OTHER THAN SHOWN, DIMENSIONS MARKED (*) MUST BE ADJUSTED ACCORDINGLY.
3. REFER TO 5874/VRK5874 OPERATION AND MAINTENANCE MANUAL FOR PUSH BUTTON AND VALVE INSTALLATION/MAINTENANCE INSTRUCTONS.



1455 KLEPPE LANE
SPARKS, NEVADA 89431
(775) 359-4712 FAX (775) 359-7424
E-MAIL: HAWS@HAWSCO.COM
WEBSITE: WWW.HAWSCO.COM

ECN NO.	REVISED PER	BY	MODEL(S):	PART NUMBER:
	ECN: 4332	HM	1409	0002077601.D
DRAWN:	DATE:	CHKD:	INFO FAX DOC #:	DRAWING NUMBER:
M. DAVIS	12/13/05		21409	15214C00
APPROVED:	DATE:	SCALE:	DRAWING TYPE:	SIZE:
		1/14	INSTALLATION/FAXBACK	A