

**5-Deck Rotary Mower**

**GM2800A**

**BARONESS  
MOWER**

**Parts catalogue**

**SN11009 and onwards**



**BARONESS**

**BEVATTNINGSTEKNIK AB**  
Helsingborgsvägen 578, Varalöv  
262 96 ÄNGELHOLM, SWEDEN

Telefon: +46 431 22250  
Email : [info@bevattningsteknik.se](mailto:info@bevattningsteknik.se) eller [philip@bevattningsteknik.se](mailto:philip@bevattningsteknik.se)  
[www.bevattningsteknik.se](http://www.bevattningsteknik.se)

# Contents

PARTS CATALOGUE .....	2
1. Frame parts A .....	3
2. Frame parts B .....	7
3. Cover parts .....	9
4. Front wheel parts .....	11
5. Rear wheel parts.....	13
6. Brake parts .....	15
7. forward/backward pedal parts.....	17
8. Engine parts A .....	19
9. Engine parts B .....	23
10. Hydraulic parts A .....	27
11. Hydraulic parts B .....	31
12. Hydraulic parts C .....	33
13. Hydraulic parts D .....	35
14. Hydraulic parts E .....	37
15. Hydraulic parts F.....	39
16. Hydraulic parts G .....	41
17. Hydraulic parts H .....	45
18. Lift arm front parts.....	47
19. Lift arm rear parts .....	49
20. Deck parts.....	51
21. Accessory parts .....	53

# 5-Deck Rotary Mower *GM2800A* **BARONNESS** **MOWER**

## PARTS CATALOGUE

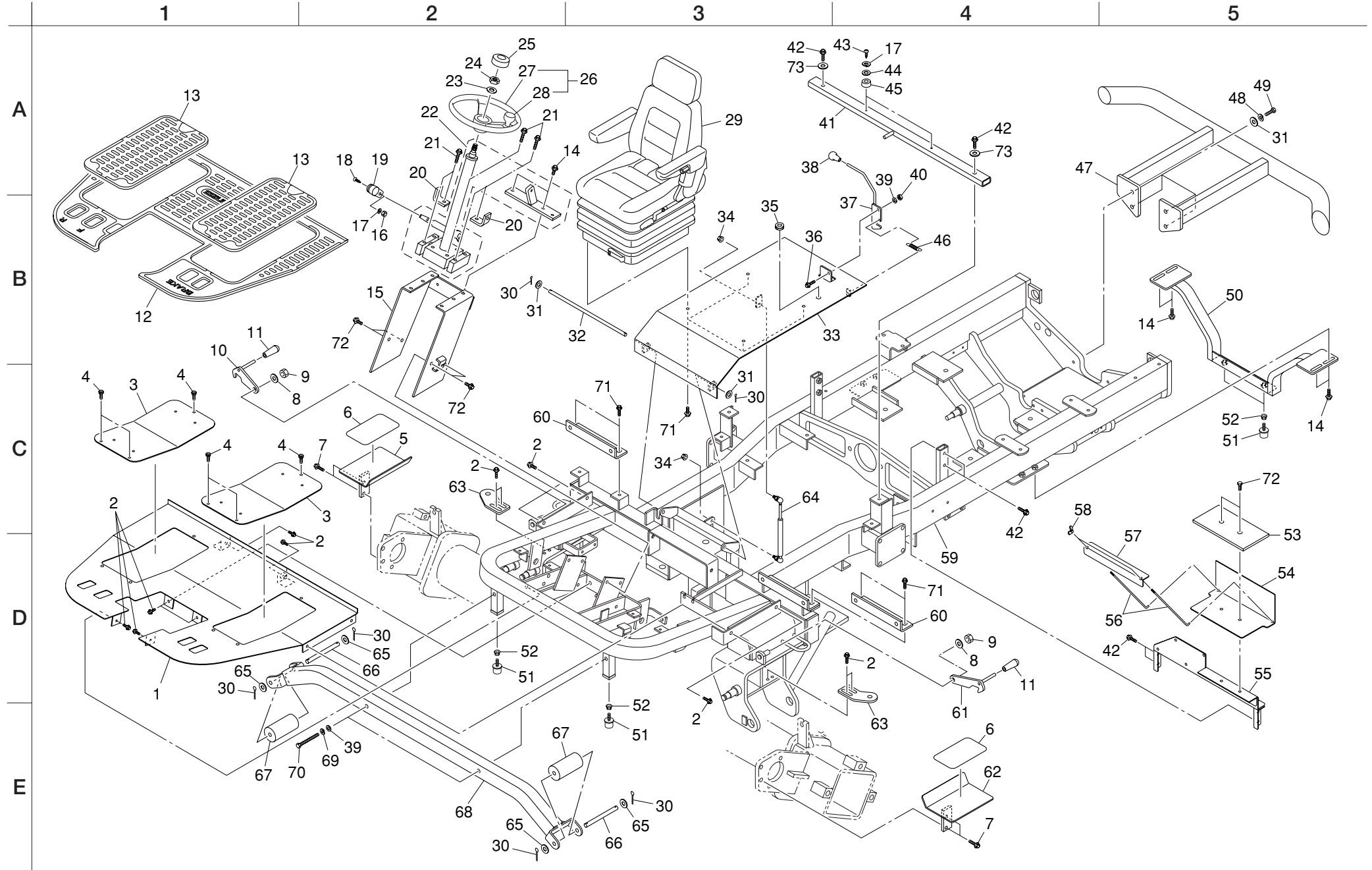
☆ **Ordering parts**

All parts in this parts catalogue are controlled by computer.

For prevention of delivery of wrong parts, advise us of the catalogue No., code No., and part name.

(Example)	Catalogue No.	Code No.	Part Name	Qty
	1-5	GM2800-0624ZD	step (R)	1

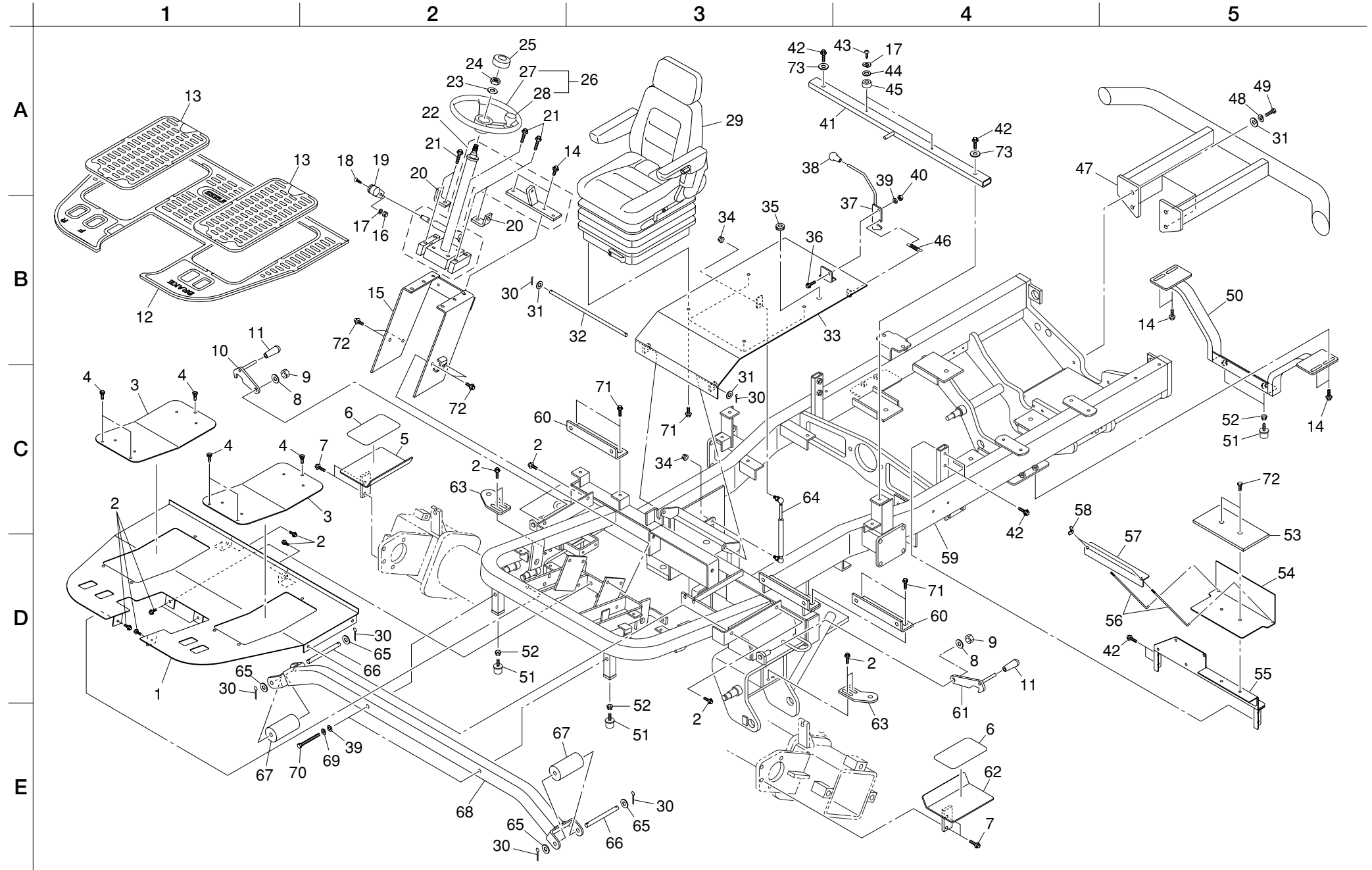
# 1. Frame parts A



Cat No.	Code No.	Part Name	Qty	Remark
1-1	LM2700-0620AD	step	1	
1-2	K0021080152	8 bolt with flange 15	14	
1-3	LM2700-0621AD	step cover	2	
1-4	K0062080122	hexagonal socket button bolt	6	
1-5	GM2800-0624ZD	step (R)	1	
1-6	K4400000030	pedal seat 100170	2	
1-7	K0021120302	12 bolt with flange 30	4	
1-8	K0210140002	14 conical spring L	2	
1-9	K0145140002	14U nut P1.5	2	
1-10	GM2800-0621AD	#4 lock lever	1	
1-11	K1300000110	9 grip yellow 22	2	
1-12	GM2800-0630A0	step rubber (L)	1	
1-13	LM2700-0629A0	step rubber (S)	2	
1-14	K0021100202	10 bolt with flange 20	8	
1-15	LM2700-0602ZD	handle mount	1	
1-16	K0100050002	5 nut	1	
1-17	K0200050002	5S washer	3	
1-18	K0042050082	5+ round head small screw 8	1	
1-19	K1301000150	throttle lever grip	1	
1-20	LM2700-0931ZD	front cover mount	2	
1-21	K0021100502	10 bolt with flange 50	8	
1-22	K1730000040	tilt steering column	1	
1-23	K0200140002	14S washer	1	
1-24	K0103140002	14 nut P1.5	1	
1-25	K1310000130	rubber cap	1	
1-26	K1710000070	steering with knob V027200-000	1	
1-27	K1710000080	steering V027220-0101	1	
1-28	K1710000090	knob Ass' y V027220-0200	1	
1-29	K1700000250	saddle DS85H/90	1	
1-30	K0300032222	3.2 split pin 22	6	
1-31	K5000120002	12 washer	6	
1-32	LM2700-0609Z2	12 shaft with holes 333	1	
1-33	GM2800-0606ZD	seat mount	1	
1-34	K0151080002	8 nut with flange	2	
1-35	K0910000020	grommet C30NG79H	1	

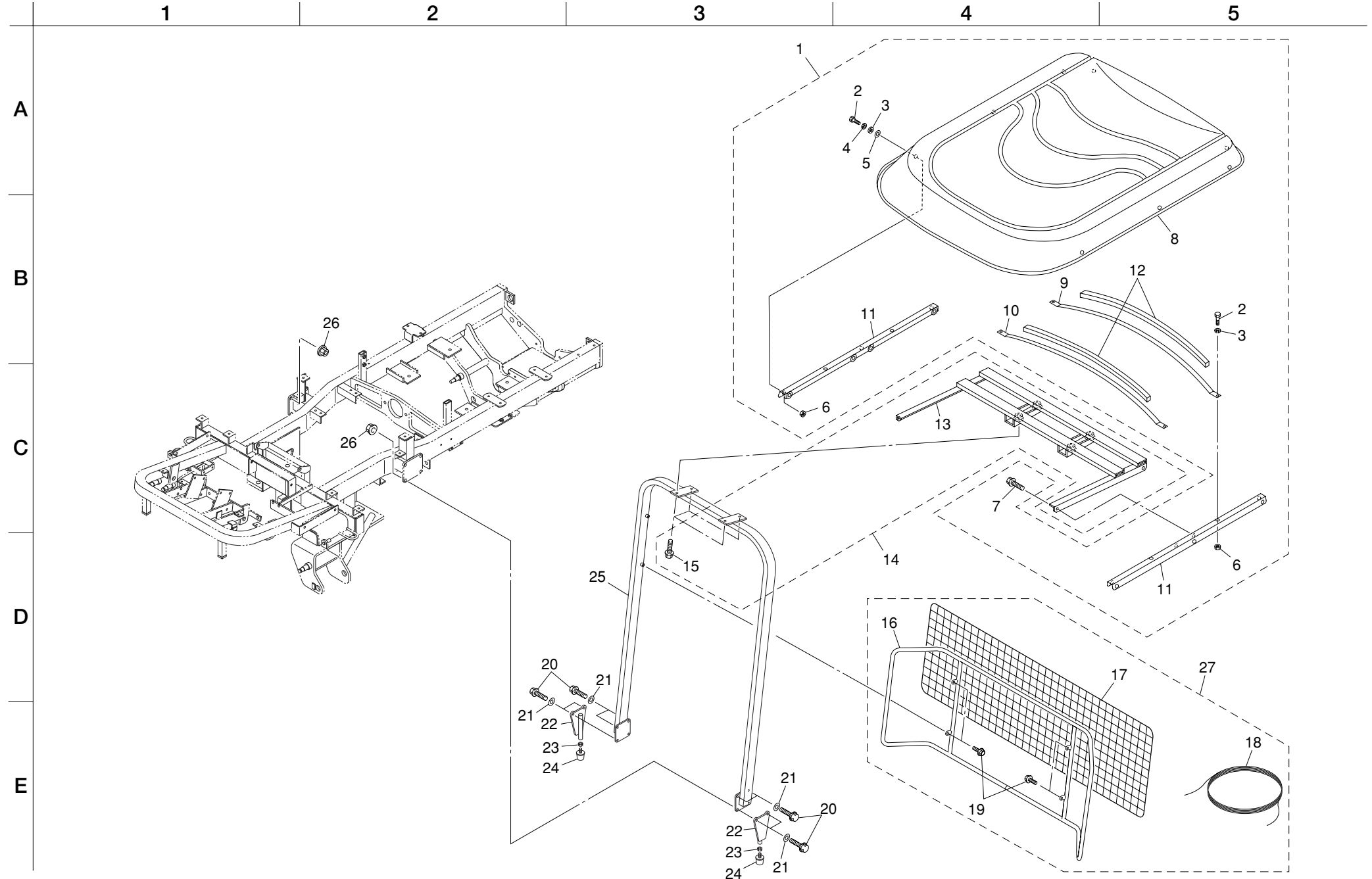
Cat No.	Code No.	Part Name	Qty	Remark
1-36	K0000100202	10 bolt 20	1	
1-37	LM2700-0607ZD	lever	1	
1-38	K1300000040	9 grip black35.5	1	
1-39	K5000100002	10 washer	3	
1-40	K0144100002	10U nut	1	
1-41	LM2700-0608AD	seat receiver	1	
1-42	K0021100302	10 bolt with flange 30	6	
1-43	K0042050152	5+ round head small screw 15	2	
1-44	K5000050002	5 washer	2	
1-45	K4039000130	rubber foot TK-3220	2	
1-46	K1030000098	1.6U hook spring 1266.8	1	
1-47	GM2800-0617ZD	bumper	1	
1-48	K0200120002	12S washer	4	
1-49	K0010120302	12 heat-treated bolt 30	4	
1-50	GM2800-0620ZD	rear deck stopper	1	
1-51	K4049050000	rubber stopper KI-50	4	
1-52	K0151100002	10 nut with flange	4	
1-53	K4035000140	battery anti-vibration rubber	1	
1-54	GM2800-0603ZD	battery mount	1	
1-55	GM2800-0602ZD	valve mount	1	
1-56	GM2800-0605ZD	battery support rod	2	
1-57	GM2800-0604ZD	battery support	1	
1-58	K0140060002	6 wing nut	2	
1-59	GM2800-0601AD	frame	1	
1-60	GM2800-0627ZD	cover mount	2	
1-61	GM2800-0622AD	#5 lock lever	1	
1-62	GM2800-0623ZD	step(L)	1	
1-63	LM2700-0625ZD	switch mount plate	2	
1-64	K3381000010	gas spring C25	1	
1-65	K5000140002	14 washer	4	
1-66	GM2800-0629Z2	roller shaft 155	2	
1-67	GM2800-0628Z0	rubber roller	2	
1-68	GM2800-0614ZD	arm guide	1	
1-69	K0200100001	10S washer	2	
1-70	K0003101002	10 bolt 100	2	

# 1. Frame parts A





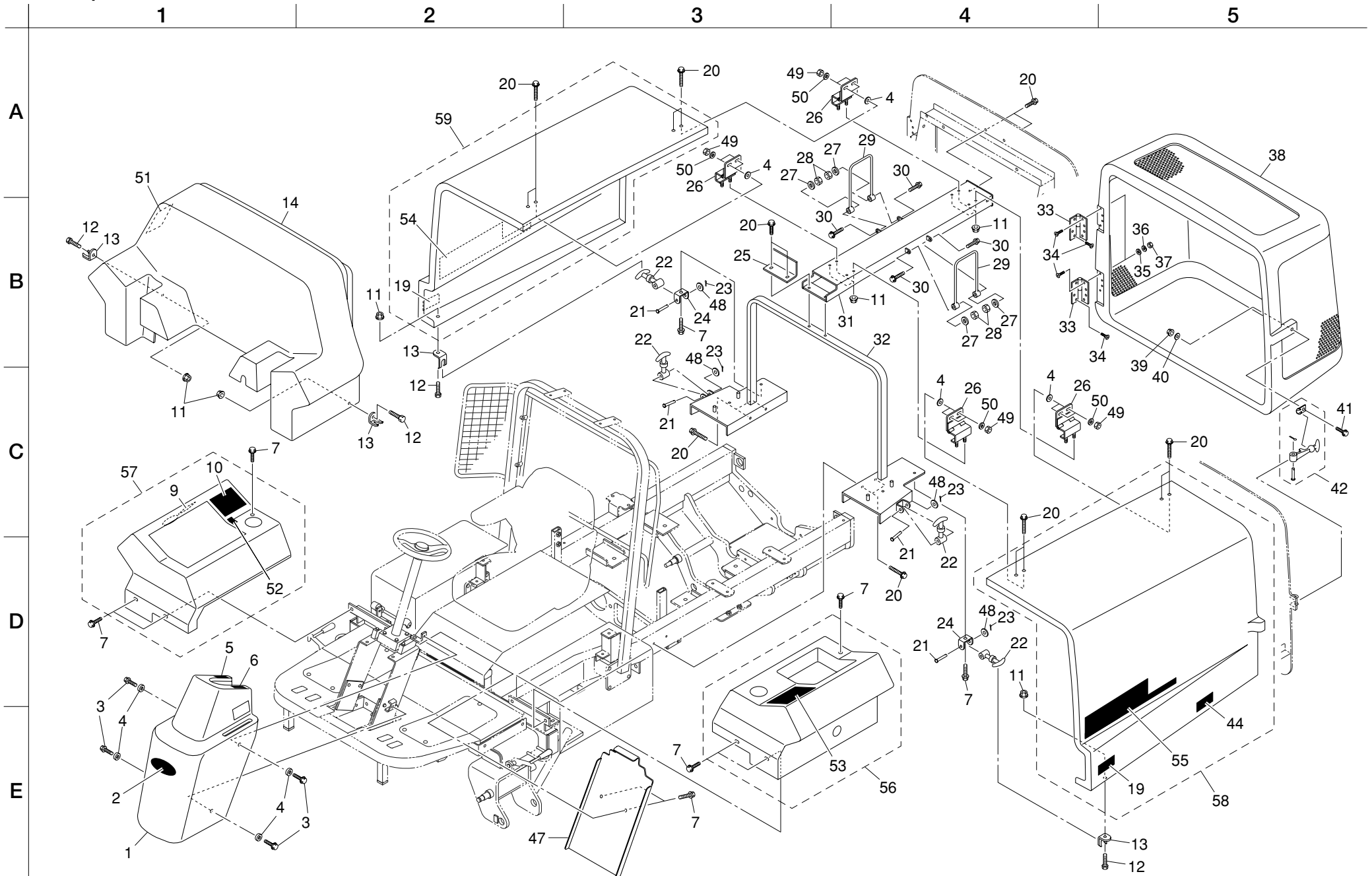
## 2. Frame parts B





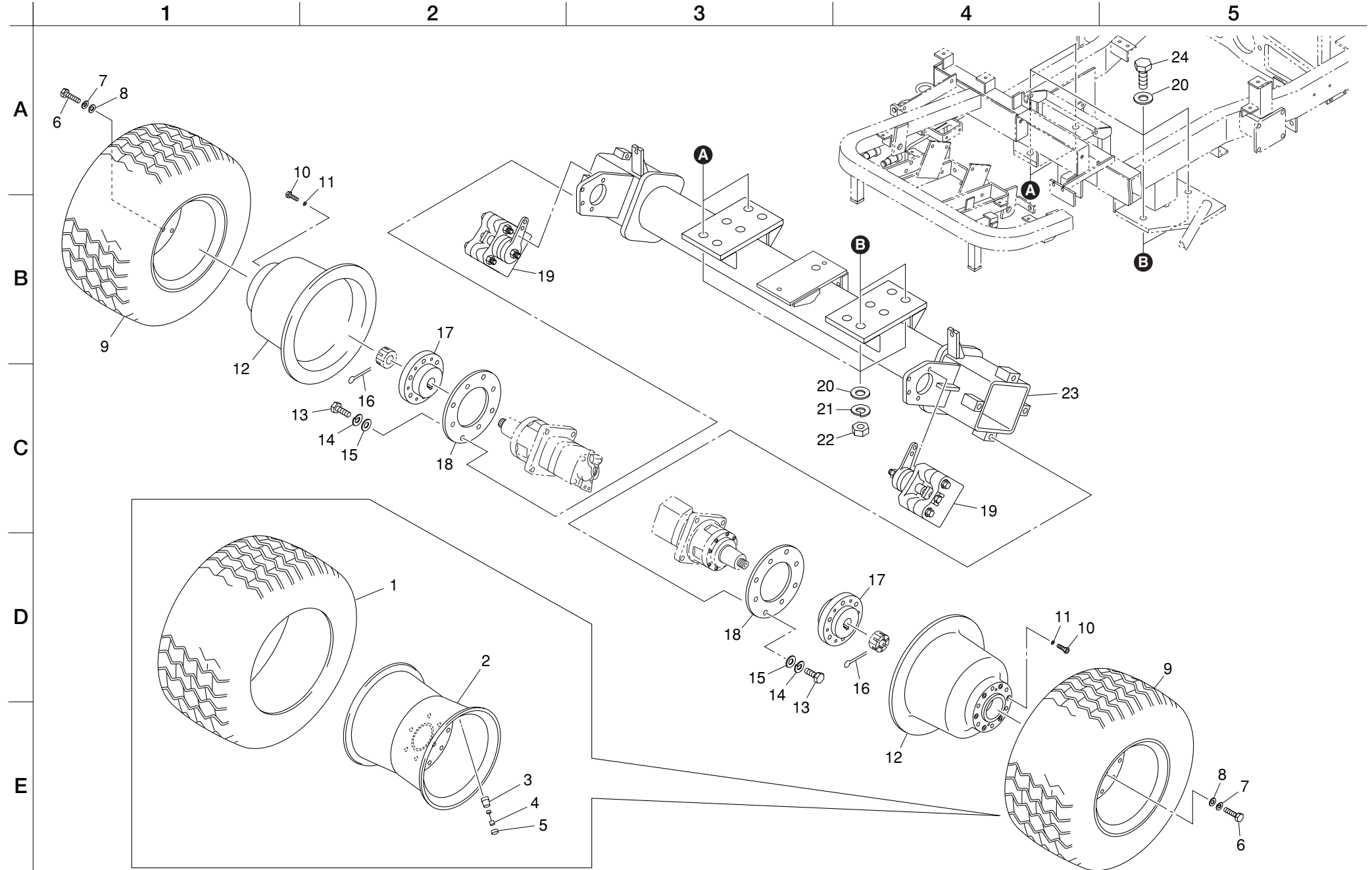


### 3. Cover parts



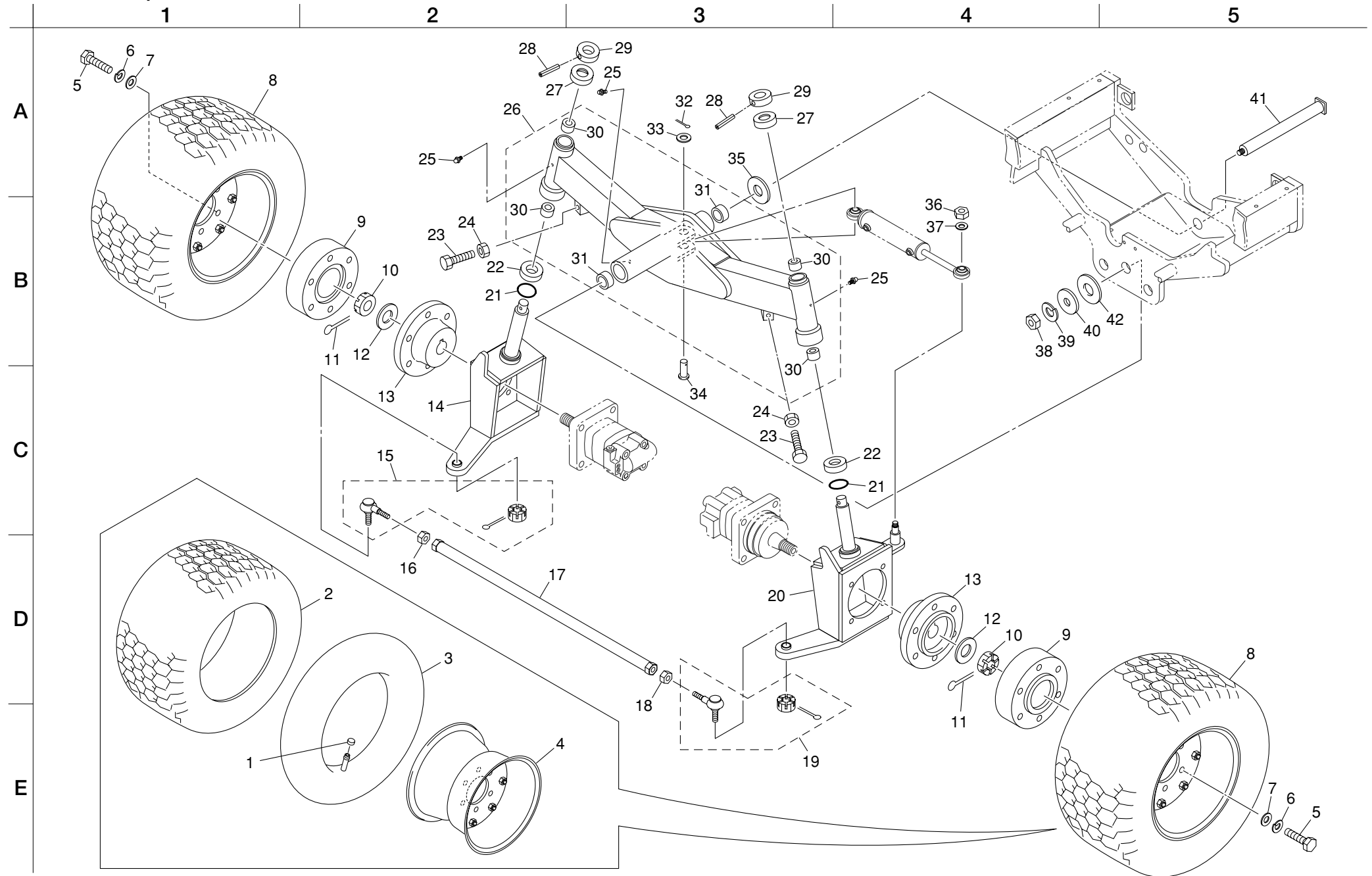


### 4. Front wheel parts



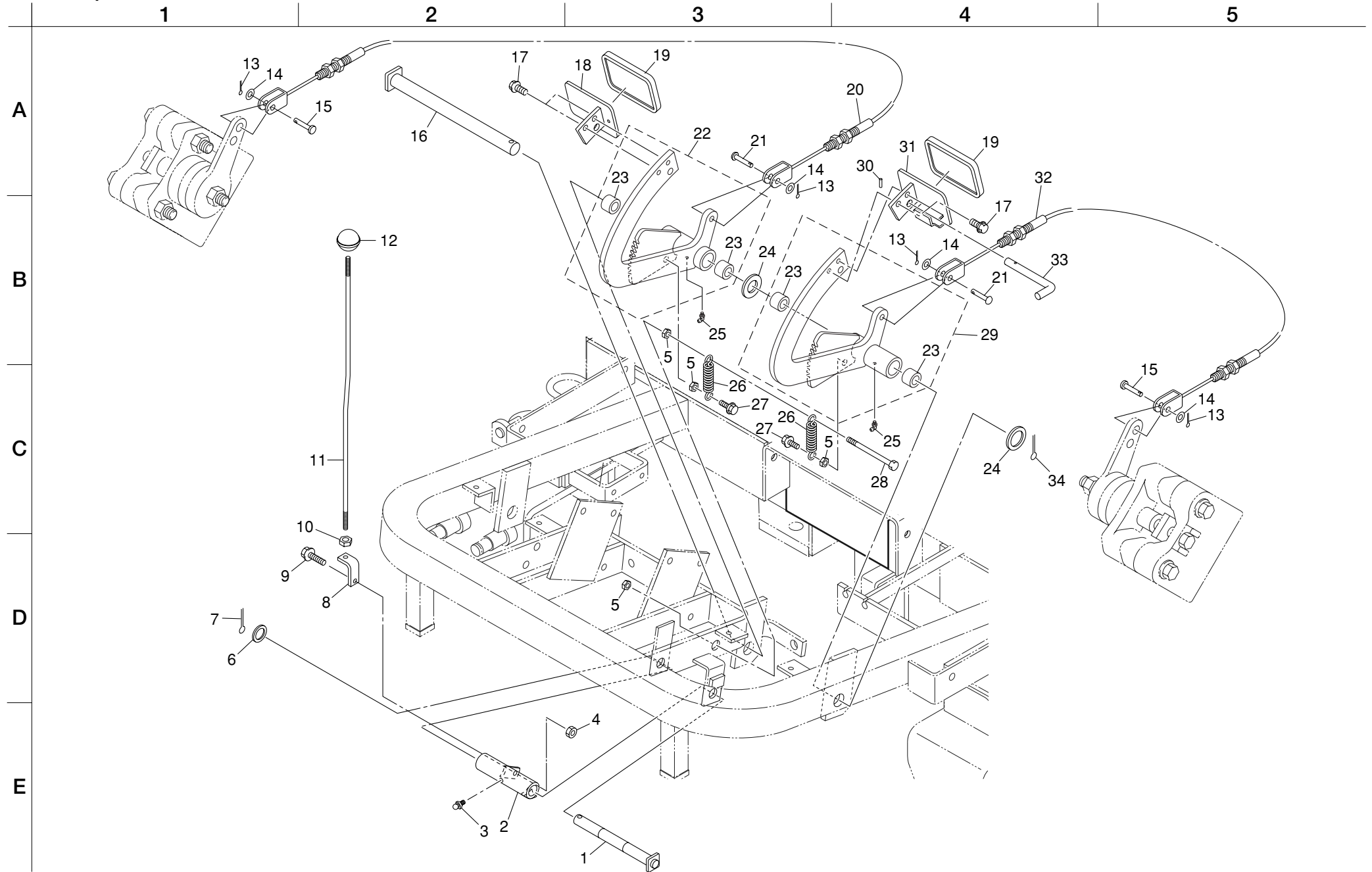


### 5. Rear wheel parts





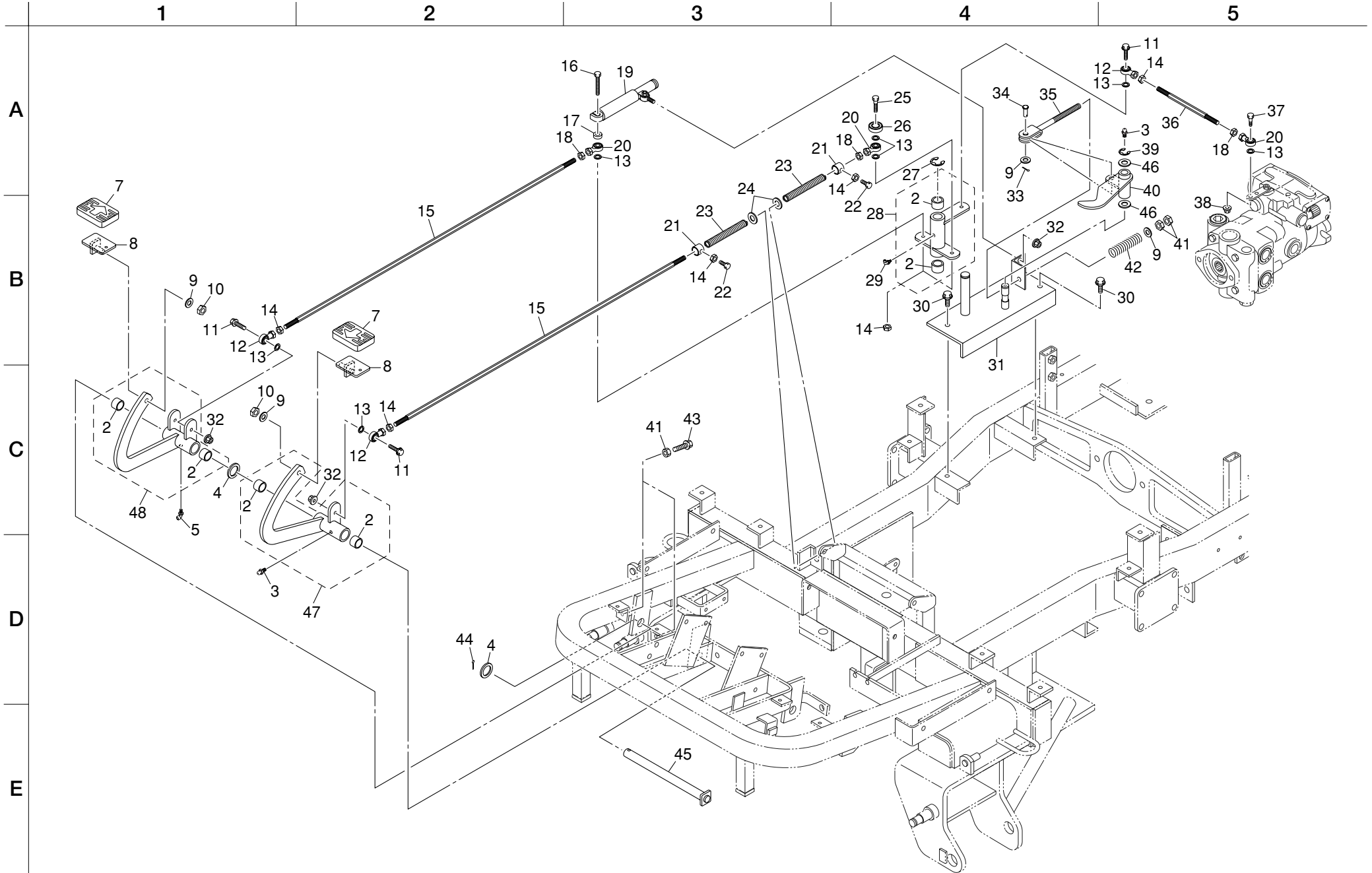
6. Brake parts





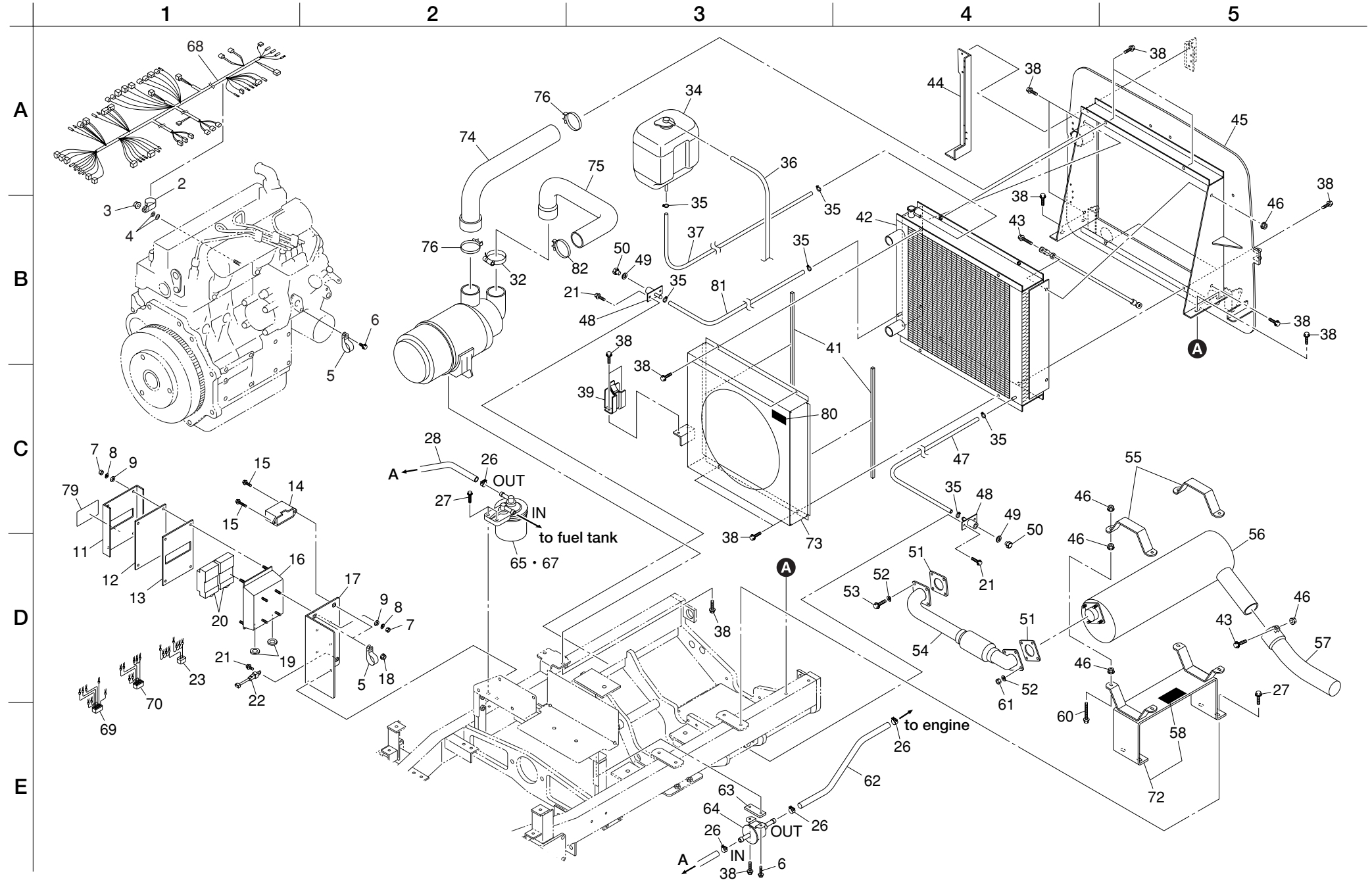


### 7. forward/backward pedal parts





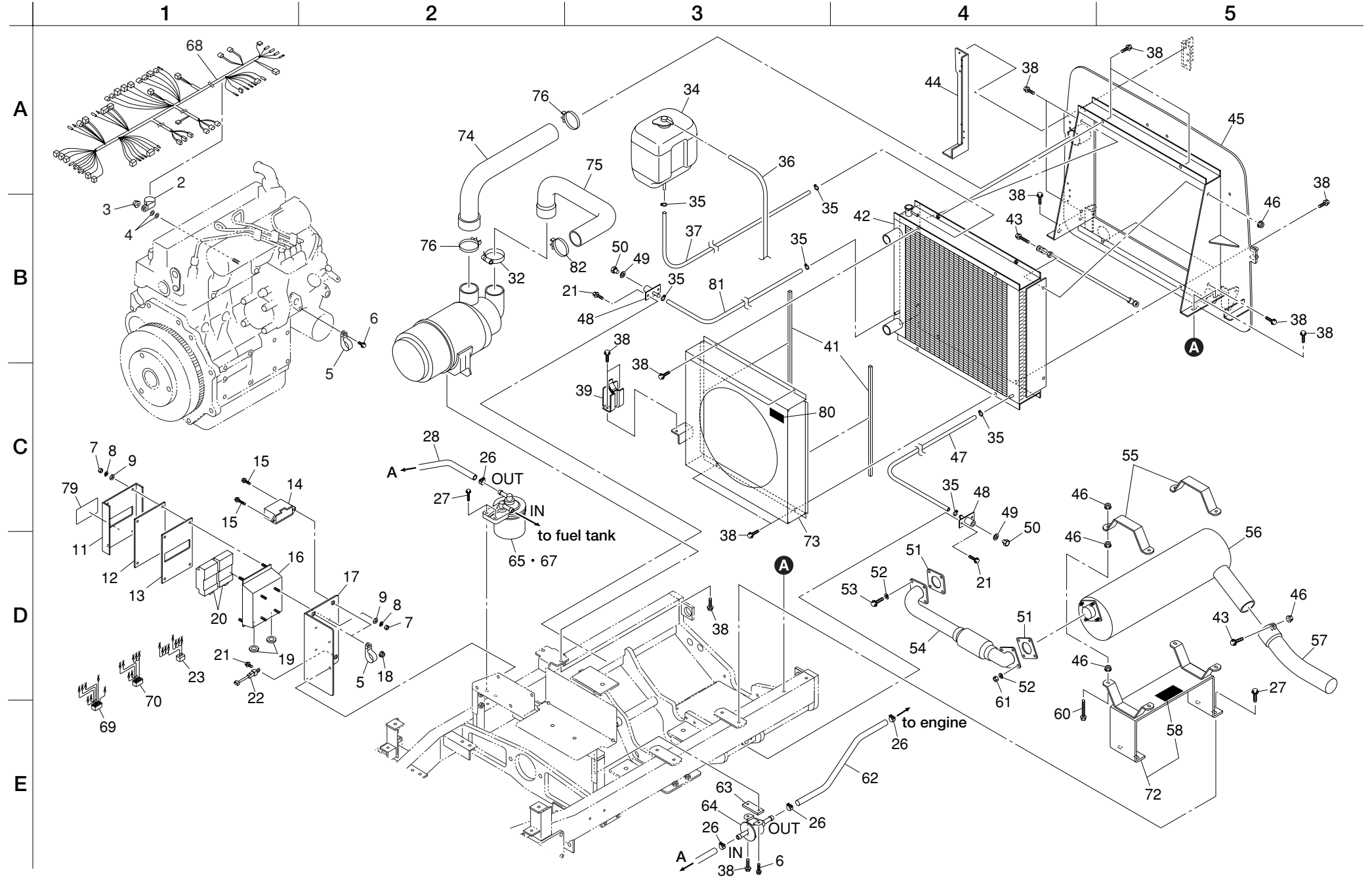
### 8. Engine parts A



Cat No.	Code No.	Part Name	Qty	Remark
8-1				
8-2	K 4 2 8 1 0 0 0 0 2 0	8.5 harness clamp 80	1	
8-3	K 0 1 5 1 0 8 0 0 0 2	8 nut with flange	1	
8-4	K 5 0 0 0 0 8 0 0 0 2	8 washer	2	
8-5	K 4 2 7 0 0 2 2 0 6 0	22 harness grip M6	3	
8-6	K 0 0 2 1 0 6 0 1 5 2	6 bolt with flange 15	2	
8-7	K 0 1 0 0 0 5 0 0 0 2	5 nut	8	
8-8	K 0 2 0 0 0 5 0 0 0 2	5S washer	8	
8-9	K 5 0 0 0 0 5 0 0 0 2	5 washer	8	
8-10				
8-11	GM2800-0519ZD	box cover	1	
8-12	GM2800-0518Z0	1.5 acrylic board 134189	1	
8-13	GM2800-0517Z0	1 rubber packing 134189	1	
8-14	K 3 6 3 0 0 0 0 0 9 0	mini-fuse block 10P-A	1	
8-15	K 0 0 2 1 0 6 0 3 0 2	6 bolt with flange 30	2	
8-16	GM2800-0516ZD	relay box	1	
8-17	GM2800-0522AD	relay mounting metal	1	
8-18	K 0 1 5 1 0 6 0 0 0 2	6 nut with flange	2	
8-19	K 0 9 0 0 3 0 0 1 6 0	grommet with film C30SG16A	2	
8-20	K 3 6 8 0 0 0 0 0 3 0	terminal relay G6B-4CB	2	
8-21	K 0 0 2 1 0 6 0 1 0 2	6 bolt with flange 10	3	
8-22	K 3 6 2 0 0 0 0 7 2 0	fusible link	1	
8-23	GM2800-0511Z0	relay wire C	1	
8-24				
8-25				
8-26	K 4 2 6 0 0 0 0 1 7 2	hose clamp KS-11-19	4	
8-27	K 0 0 2 1 0 8 0 2 0 2	8 bolt with flange 20	6	
8-28	K 3 1 8 0 0 0 8 0 0 0	fuel hose FUEL8×1B800	1	
8-29				
8-30	K 4 2 6 1 0 3 6 0 0 0	4669 clamp	2	
8-31				
8-32	K 4 2 6 1 0 4 4 0 0 0	parker clamp 29-76	1	
8-33				
8-34	P F 1 5 5 0 1 - 7 2 4 0 - 4	reserve tank	1	
8-35	K 4 2 6 0 0 0 0 1 5 0	hose clamp 12	6	

Cat No.	Code No.	Part Name	Qty	Remark
8-36	GM2800-0528Z0	drain hose 700	1	
8-37	GM2800-0527Z0	drain hose 950	1	
8-38	K 0 0 2 1 0 8 0 1 5 2	8 bolt with flange 15	20	
8-39	P F 1 5 5 2 1 - 7 2 4 6 - 2	reserve tank stay	1	
8-40				
8-41	K 4 2 2 0 0 0 0 2 3 0	10 urethane sponge 10500	2	
8-42	GM2800-0501Z0	radiator	1	
8-43	K 0 0 2 1 0 8 0 3 0 2	8 bolt with flange 30	2	
8-44	GM2800-0523ZD	guide plate	1	
8-45	GM2800-0502BD	radiator mounting frame	1	
8-46	K 0 1 5 1 0 8 0 0 0 2	8 nut with flange	14	
8-47	GM2800-0526Z0	drain hose 300	1	
8-48	LM2700-0561Z2	TER39280AB joint	1	
8-49	LM2700-0562Z0	packing	1	
8-50	LM2700-0563Z0	drain plug	1	
8-51	P F 1 7 3 2 6 - 1 2 2 3 - 1	muffler packing	2	
8-52	K 0 2 0 0 0 8 0 0 0 2	8S washer	8	
8-53	K 0 0 0 0 0 8 0 2 0 2	8 bolt 20	4	
8-54	GM2800-0507ZU	exhaust pipe	1	
8-55	LM2700-0524ZU	muffler mount plate	2	
8-56	P F 1 G 3 7 2 - 1 2 1 1 - 1	muffler	1	
8-57	GM2800-0521ZU	tail pipe	1	
8-58	K 4 2 0 5 0 0 1 5 4 0	caution mark (hot parts)	1	
8-59				
8-60	K 0 0 2 1 0 8 0 5 0 2	8 bolt with flange 50	4	
8-61	K 0 1 0 0 0 8 0 0 0 2	8 nut	4	
8-62	K 3 1 8 0 0 0 5 0 0 0	fuel hoseFUEL8×1B500	1	
8-63	P F 6 6 5 9 1 - 5 4 5 6 - 3	anti-vibration rubber	1	
8-64	P F R 1 4 0 1 - 5 1 3 5 - 1	fuel pump Ass'y	1	
8-65	P F 1 5 2 2 4 - 4 3 0 1 - 3	fuel filter	1	
8-66				
8-67	P F 1 5 2 2 1 - 4 3 1 7 - 0	filter element	1	
8-68	GM2800-0535Z0	wire harness	1	
8-69	GM2800-0536Z0	relay wire A	1	
8-70	GM2800-0537Z0	relay wire B	1	

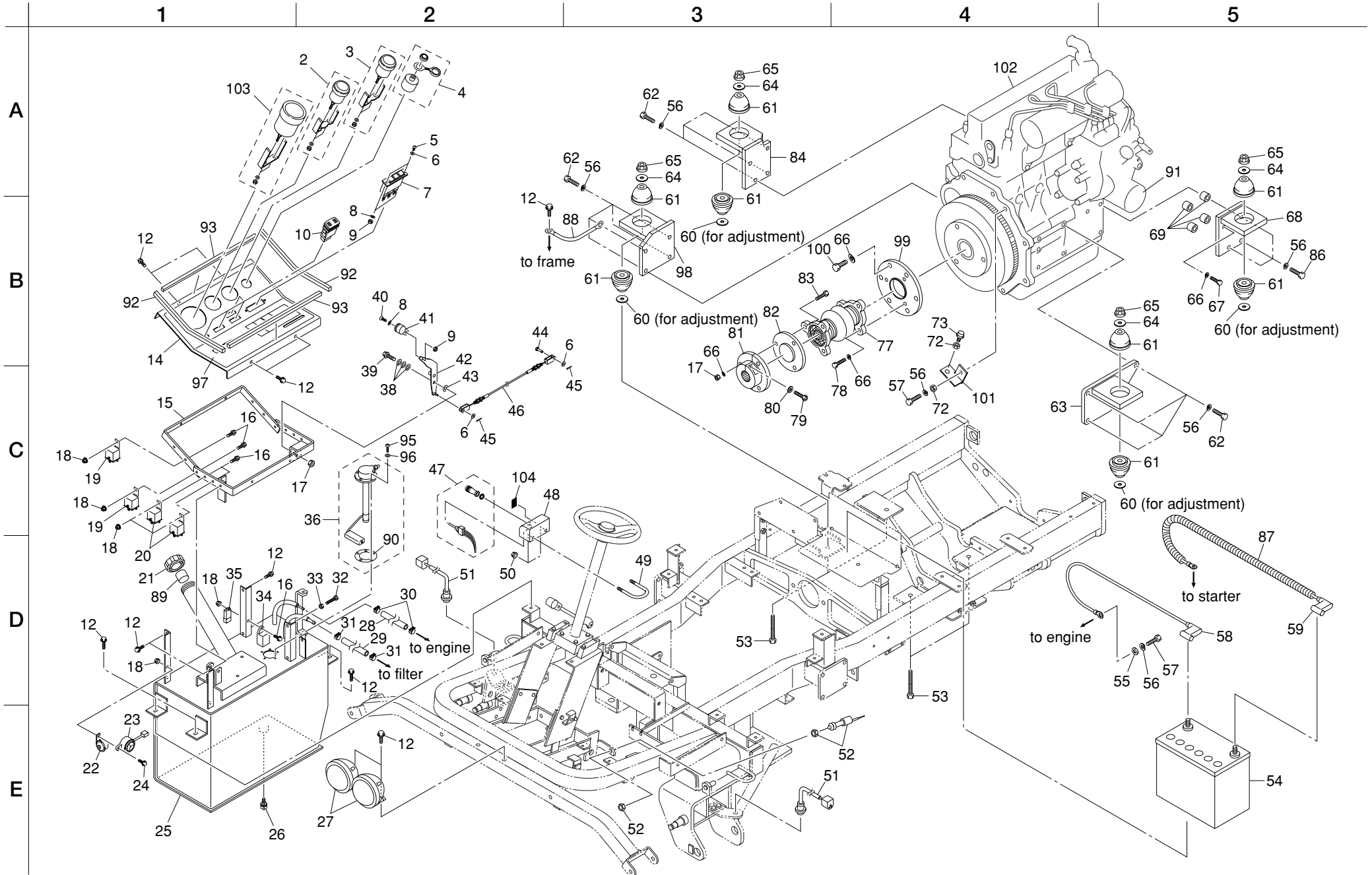
### 8. Engine parts A



Cat No.	Code No.	Part Name	Qty	Remark
8-71				
8-72	GM2800-0554Z0	muffler mounting plate COMP	1	
8-73	GM2800-0551Z0	shroud	1	
8-74	GM2800-0556Z0	suction hose A	1	
8-75	GM2800-0557Z0	suction hose B	1	
8-76	K4261056000	parker clamp 54-100	2	
8-77	PF14095-2253-1	air cleaner	1	
8-78	PF59800-2611-1	element	1	
8-79	GM2800-0560Z0	relay label	1	
8-80	K4205001530	rotation parts hazard label	1	
8-81	GM2800-0562Z0	drain hose 450	1	
8-82	K4261032000	parker clamp 40-64	1	

Cat No.	Code No.	Part Name	Qty	Remark

### 9. Engine parts B

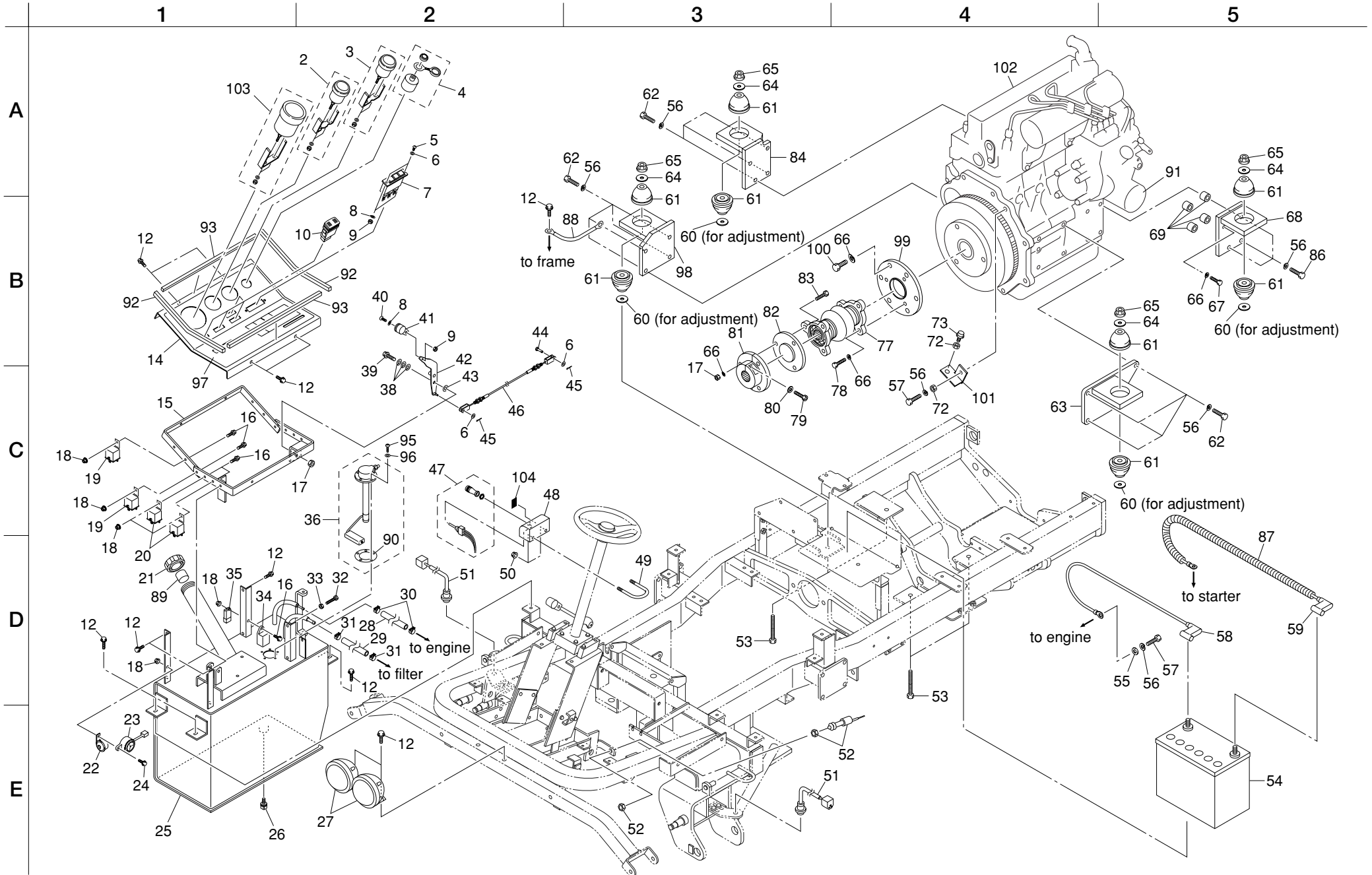




Cat No.	Code No.	Part Name	Qty	Remark
9-1				
9-2	PF19488-8303-2	water temperature gauge	1	
9-3	K3653000010	fuel gauge 52BG2	1	
9-4	PF15248-6359-2	starter switch Ass'y	1	
9-5	K0042050122	5+ round head small screw 12	2	
9-6	K5000050002	5 washer	4	
9-7	K3641000040	pilot lamp	1	
9-8	K0200050002	5S washer	3	
9-9	K0100050002	5 nut	3	
9-10	K3661000050	see-saw switch	4	
9-11				
9-12	K0021080152	8 bolt with flange 15	13	
9-13				
9-14	LM2700-0938ZD	instrument mount plate	1	
9-15	LM2700-0937ZD	instrument mount frame	1	
9-16	K0021060202	6 bolt with flange 20	5	
9-17	K0100100002	10 nut	4	
9-18	K0151060002	6 nut with flange	5	
9-19	K3681000080	power relay MR5A602A1K	2	
9-20	K3681000070	power relay MR5A411A1K	2	
9-21	K1410000070-Y	filler cap Ass' y	1	
9-22	K3700000020	buzzer U-WBS12	1	
9-23	K3700000010	buzzer type EBM-12	1	
9-24	K0021060302	6 bolt with flange 30	1	
9-25	GM2800-0701ZD-Y	fuel tank	1	
9-26	K1421060002-Y	tapered plug with square head PT3/8	1	
9-27	K3640000060	work lamp V31623A	2	
9-28	K3182019000	fuel hose FUEL4X1B1900	1	
9-29	K3180008000	fuel hose FUEL8X1B800	1	
9-30	K4260000150	hose clamp 12	2	
9-31	K4260000172	hose clamp KS-11-19	2	
9-32	K0000080402	8 bolt 40	1	
9-33	K0100080002	8 nut	1	
9-34	PF15694-6599-2	glow timer	1	
9-35	PF1K574-6022-1	relay COMP	1	

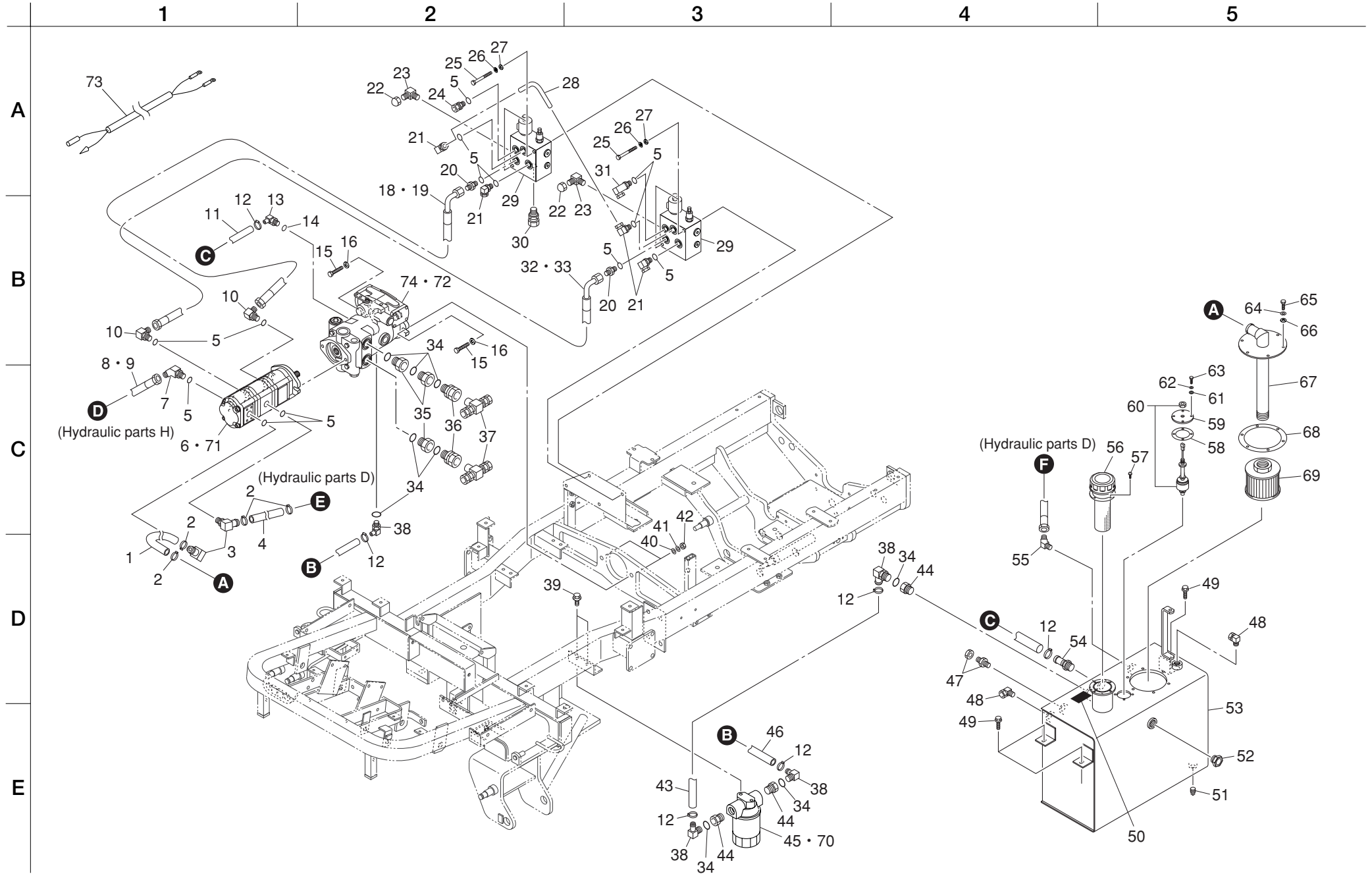
Cat No.	Code No.	Part Name	Qty	Remark
9-36	K2721000090	tank unit 180X195	1	
9-37				
9-38	K0210100001	10 conical disk spring L	3	
9-39	K0021100302	10 bolt with flange 30	1	
9-40	K0042050082	5+ round head small screw 8	1	
9-41	K1301000150	throttle lever grip	1	
9-42	LM2700-0560Z2	throttle lever	1	
9-43	K5000100002	10 washer	1	
9-44	K6030050152	5 flat-head pin 15	1	
9-45	K0300016102	1.6 split pin 10	2	
9-46	K1110168020	throttle wire 1680	1	
9-47	K3662000030	auto-return switch ET115G	1	
9-48	LM2700-0552ZD	switch BOX	1	
9-49	K0073000052	U bolt M8X40A	1	
9-50	K0151080002	8 nut with flange	2	
9-51	K3720000120	proximity sensor E2E-X5E2	2	
9-52	K3671000150	safety switch V17680A	1	
9-53	K0013121102	12 heat-treated bolt 110	4	
9-54	K3600000180	battery FX105D31R	1	
9-55	K5000120002	12 washer	1	
9-56	K0200120002	12S washer	17	
9-57	K0002120202	12 bolt 20P1.25	2	
9-58	K3611000390	battery (-) wire 850	1	
9-59	K3610000320	battery (+) wire 1400	1	
9-60	K5011613402	1.6SPCC metal washer 1340	4	for adjustment
9-61	K4042000100	engine mount	8	
9-62	K0012120352	12 heat-treated bolt 35P1.25	12	
9-63	LM2700-0504ZD	engine bracket C	1	
9-64	K5076012402	6SPHC metal washer 1240	4	
9-65	K0151120002	12 nut with flange	4	
9-66	K0200100002	10S washer	13	
9-67	K0011100502	10 heat-treated bolt 50P1.25	1	
9-68	GM2800-0525ZD	engine bracket D	1	
9-69	K6212000542	12.8STKM collar 2220	4	
9-70				

### 9. Engine parts B





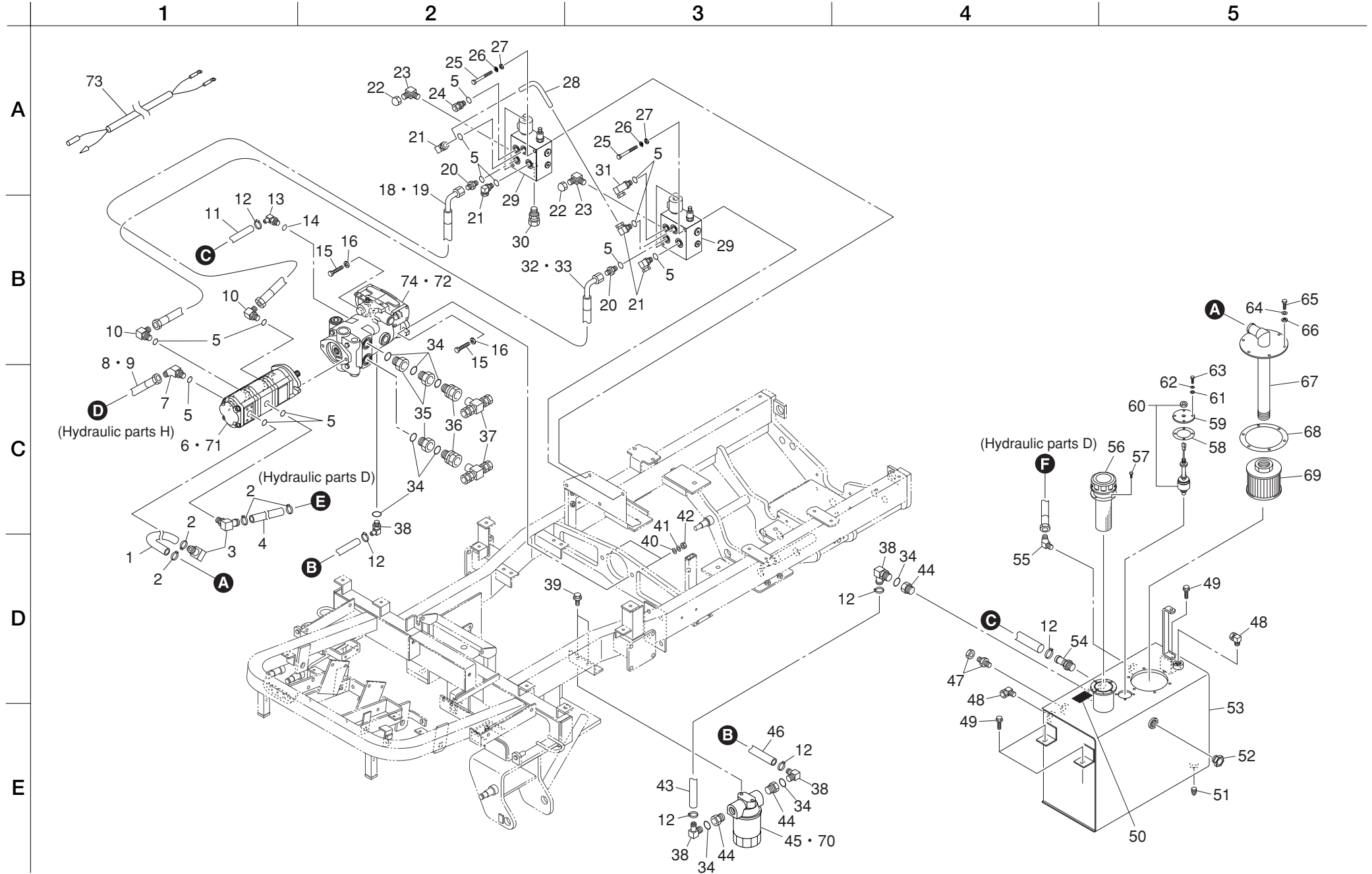
### 10. Hydraulic parts A



Cat No.	Code No.	Part Name	Qty	Remark
10-1	GM2800-0843Z0	38 suction hose 550	1	
10-2	K4260000200	jubilee band 2A	4	
10-3	K3008000212-Y	elbow nipple FPD2576	2	
10-4	GM2800-0844Z0	38 suction hose 420	1	
10-5	K0881018000	O-ring P18B	13	
10-6	K3252000060	gear pump PBBB442RK157	1	
10-7	K3008000412-Y	45 different diameter elbow PF3/8 PF1/2	1	
10-8	K3103311300	WP140-9 hose 1-1300	1	
10-9	K3191012000	SP-15 coil tube 1200	1	
10-10	K3008000042-Y	90 adjuster elbow 1086-12	2	
10-11	GM2800-0846Z0	25 suction hose 750	1	
10-12	K4260000190	jubilee band 1	6	
10-13	K3008000302-Y	adjuster elbow FPD21941	1	
10-14	K0887009120	O-ring AS568-912	1	
10-15	K0013120552	12 heat-treated bolt 55	2	
10-16	K5073212302	3.2SPHC metal washer 1230	2	
10-17				
10-18	K3105430540	WP210-12 hose 3-540	1	
10-19	K3191004400	SP-15 coil tube 440	1	
10-20	K3009000092-Y	special adaptor PF1/2 PF1/2	2	
10-21	K3026416081-Y	elbow nipple KLO16-040E	4	
10-22	K3008000482-Y	screw cap female PF1/4	2	
10-23	K3008000442-Y	90 adjuster elbow 1086-6	2	
10-24	K3026316081-Y	connector KCO16-040E	1	
10-25	K0003101002	10 bolt 100	4	
10-26	K0200100002	10S washer	4	
10-27	K5000100002	10 washer	4	
10-28	GM2800-0815Z2-Y	pipe G	1	
10-29	K3313000370	solenoid valve V5341 COMP	2	
10-30	K3026325121-Y	connector KCO25-060E	1	
10-31	K3028416081-Y	long elbow nipple KLG16-040E	1	
10-32	K3105430410	WP210-12 hose 3-410	1	
10-33	K3191003100	SP-15 coil tube 310	1	
10-34	K0887009160	O-ring AS568-916	9	
10-35	K3008000632-Y	O-ring connector 4043-1 5/16-O	3	

Cat No.	Code No.	Part Name	Qty	Remark
10-36	K3008000622-Y	O-ring connector 1202-25-1 5/16	2	
10-37	K3027025001-Y	tee KTB25-000E	2	
10-38	K3008000312-Y	adjustable elbow FPD21939	4	
10-39	K0021100202	10 bolt with flange 20	2	
10-40	K5000120002	12 washer	2	
10-41	K0200120002	12S washer	2	
10-42	K0100120002	12 nut	2	
10-43	LM2700-0868Z0	25 suction hose 210	1	
10-44	K3008000642-Y	O-ring connector 4400-25-16	3	
10-45	K3410000020	cartridge filter CF-08-10U	1	
10-46	GM2800-0845Z0	25 suction hose 240	1	
10-47	K3026610081-Y	connector KCT10-040E	1	
10-48	K3028010081-Y	elbow KLN10-040E	2	
10-49	K0021080152	8 bolt with flange 15	3	
10-50	K4209000980	hydraulic oil mark	1	
10-51	K1421060002-Y	tapered plug with square head PT3/8	1	
10-52	K1400000044-Y	PF3/4 oil quantity plug type M	1	
10-53	GM2800-0840ZD-Y	hydraulic tank	1	
10-54	K3009000132-Y	special adaptor MO-JS-25	1	
10-55	K3003120002-Y	45 elbow 1035-12	1	
10-56	K3400000030	refueling hole breather FAB-50	1	
10-57	K0044050102	5+ round head small screw 10SW	4	
10-58	K4011000330	0.8 oil seat 4575	1	
10-59	LM526--0809Z2-Y	oil level sensor mount plate	1	
10-60	K3720000130	level switch	1	
10-61	K5000060002	6 washer	4	
10-62	K0200060002	6S washer	4	
10-63	K0000060202	6 bolt 20	4	
10-64	K0200080002	8S washer	6	
10-65	K0000080202	8 bolt 20	6	
10-66	K5000080002	8 washer	6	
10-67	LM2700-0802Z2-Y	suction hose attachment	1	
10-68	LM535E-0434Z0	suction port packing	1	
10-69	K3413000040	suction filter SFT-10-150W	1	
10-70	K3410000030	filter for the substitute F-913-1	1	

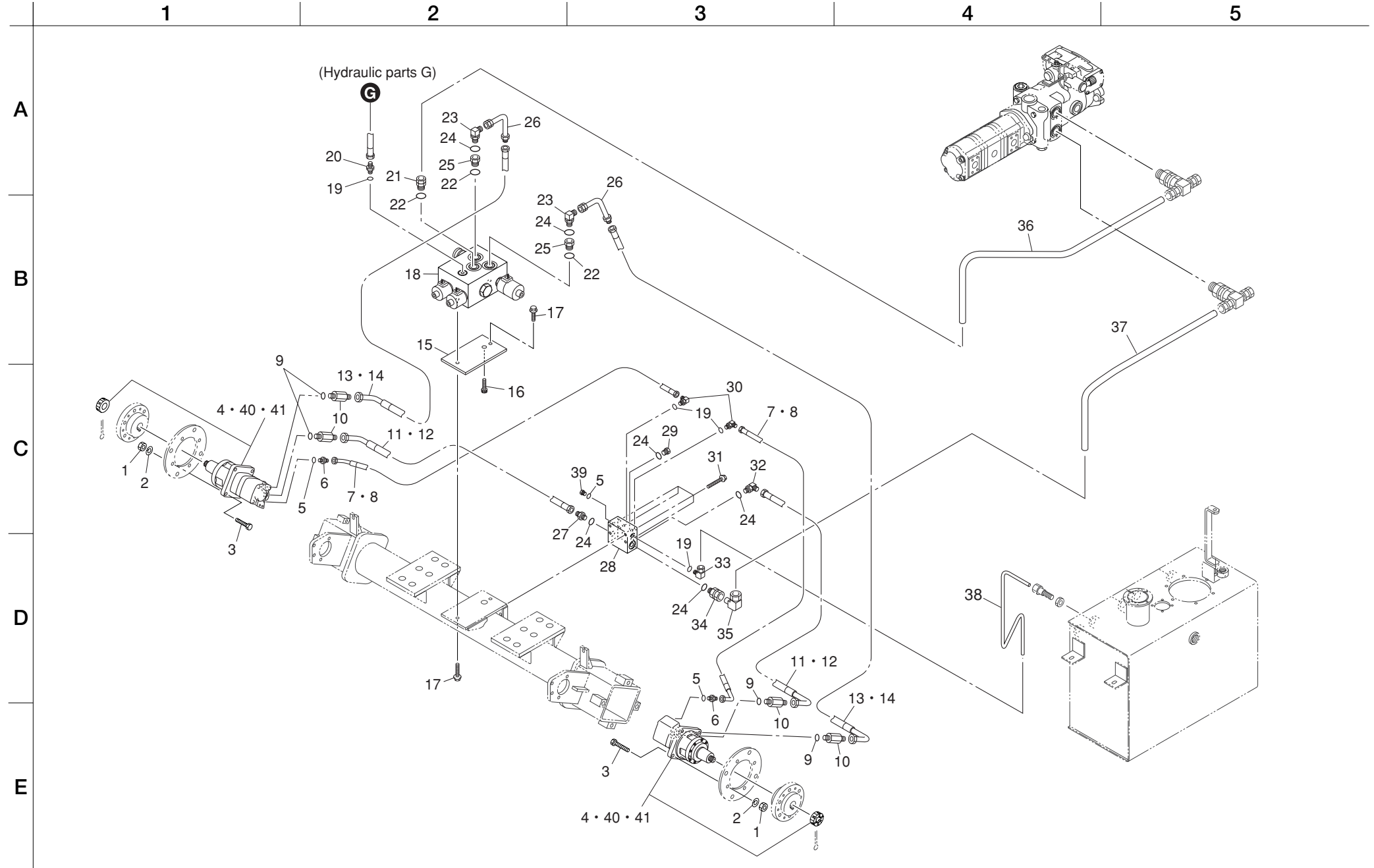
### 10. Hydraulic parts A



Cat No.	Code No.	Part Name	Qty	Remark
10-71	YCG0093A	gear pump seal kit	1	
10-72	Y72400-908	piston pump 72400 seal kit	1	
10-73	GM2800-9503Z0	lockout switch wire	1	
10-74	K3244000040	piston pump 72400	1	

Cat No.	Code No.	Part Name	Qty	Remark

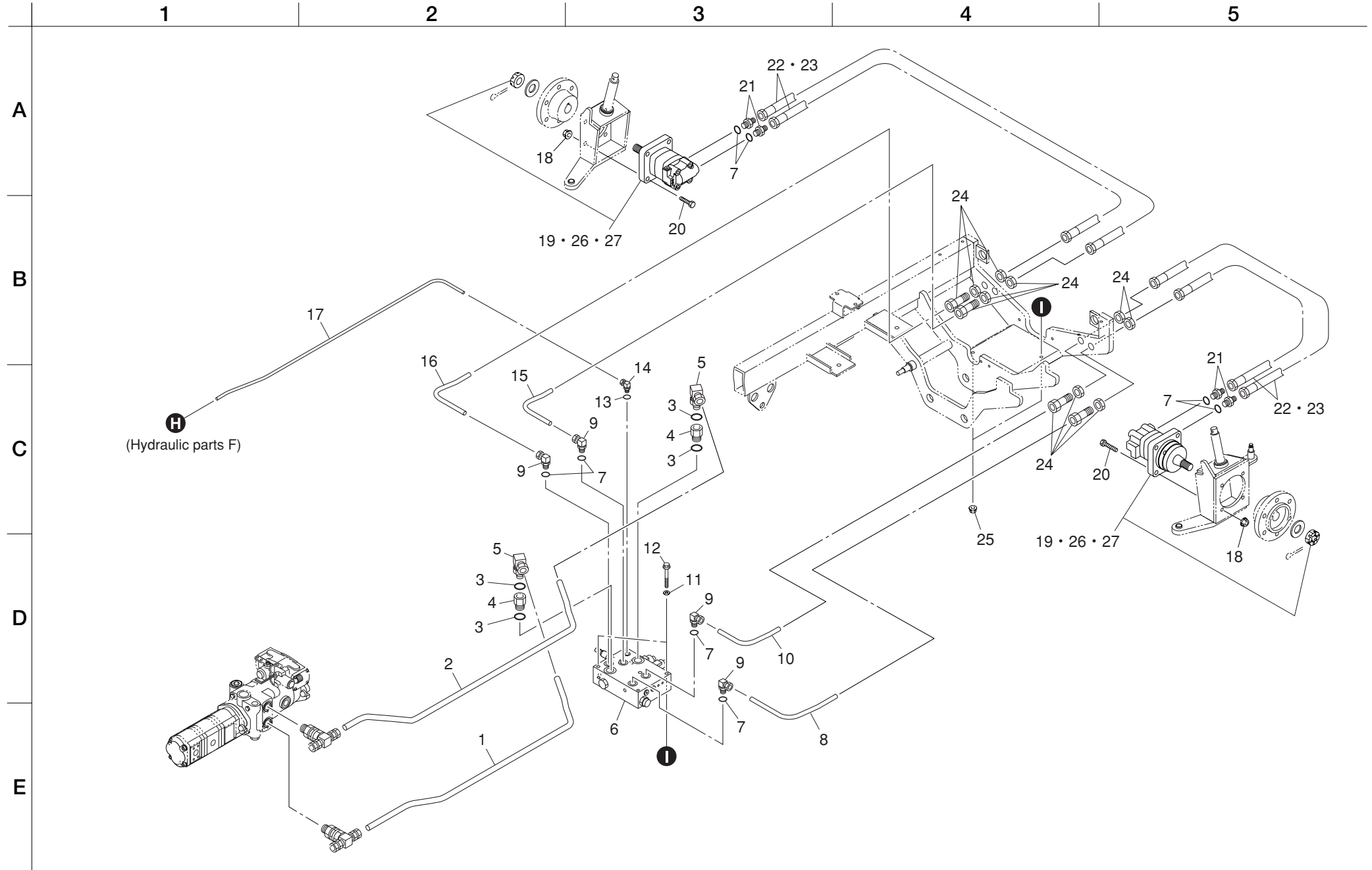
### 11. Hydraulic parts B





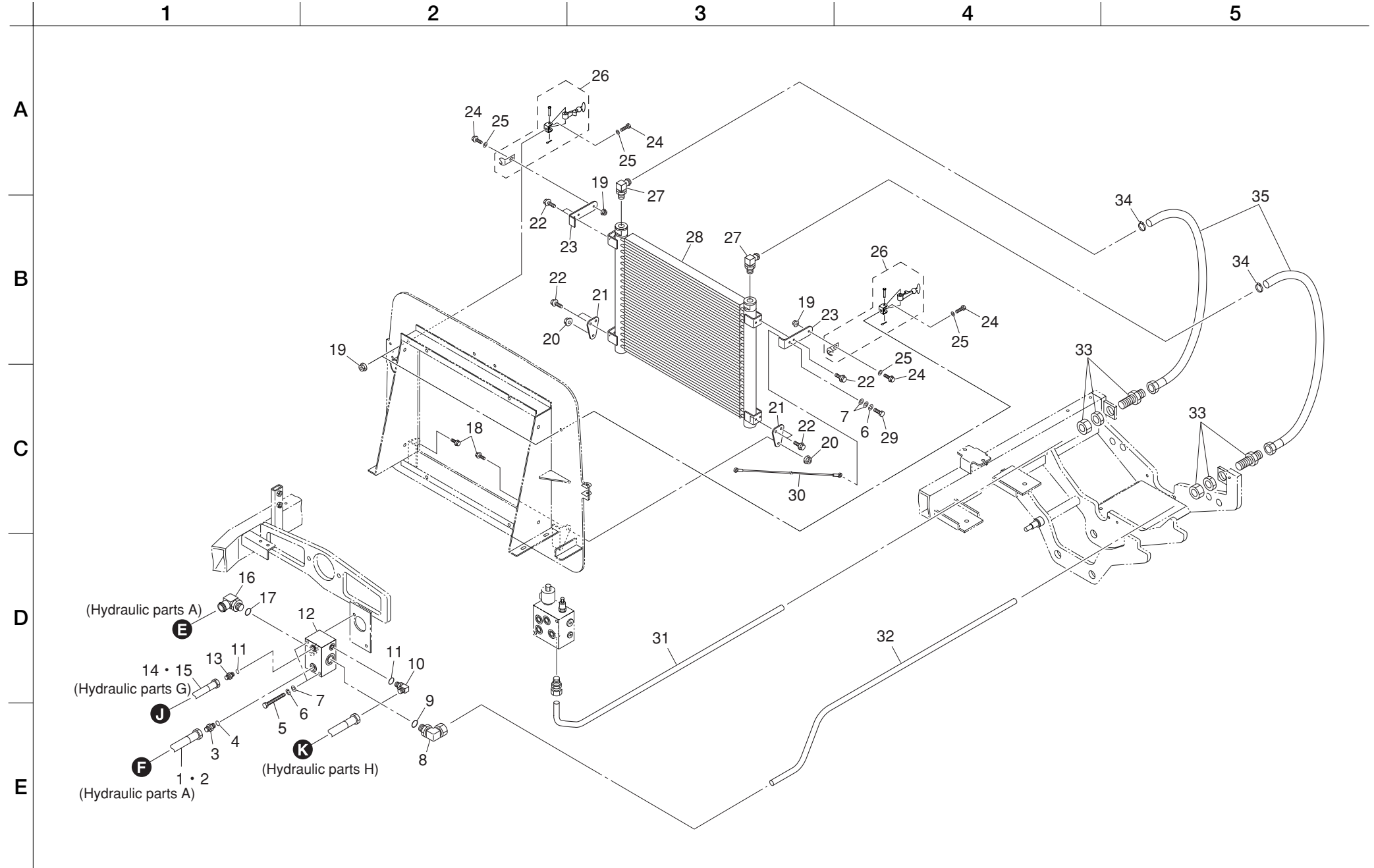


### 12. Hydraulic parts C



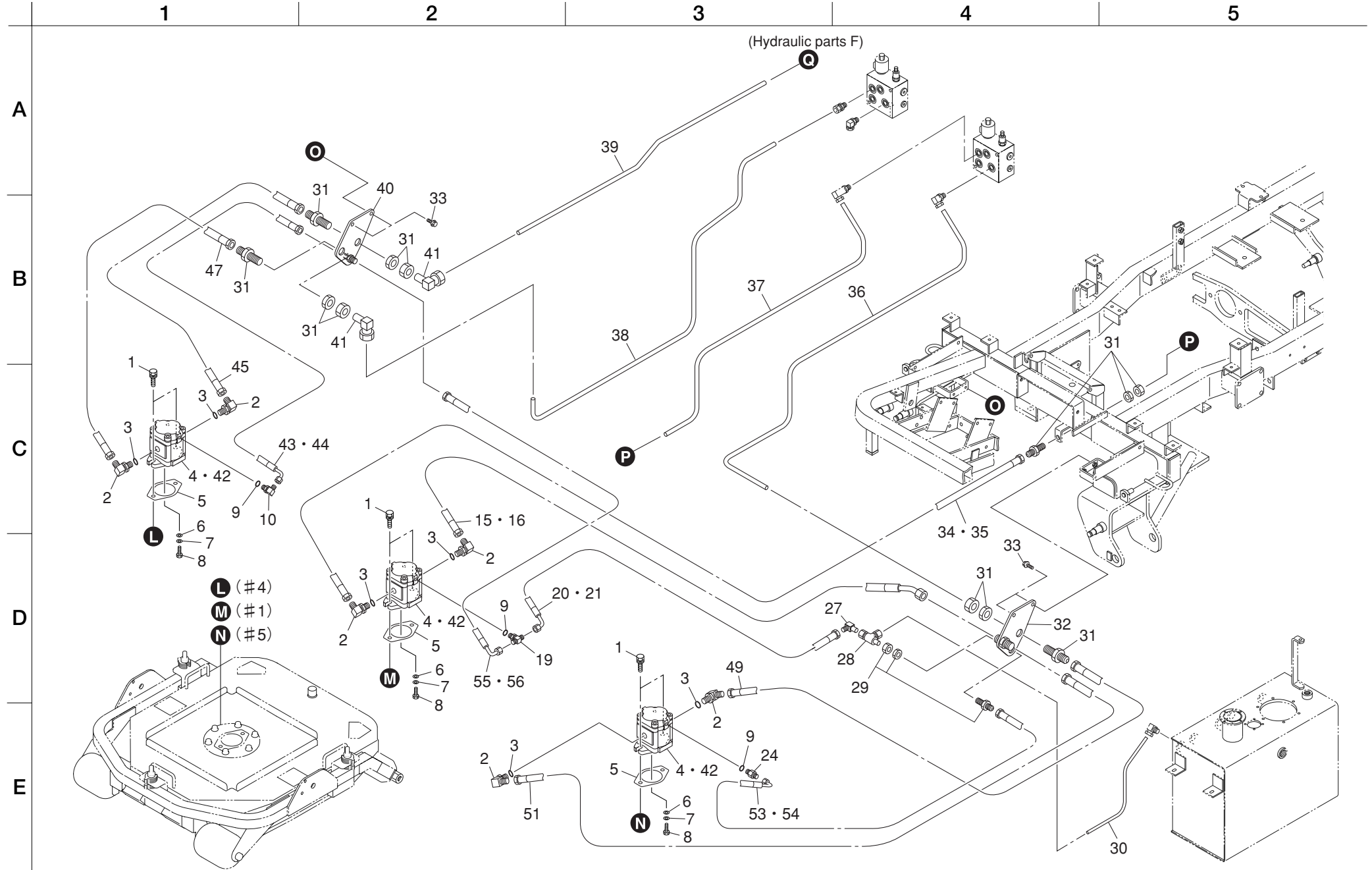


### 13. Hydraulic parts D



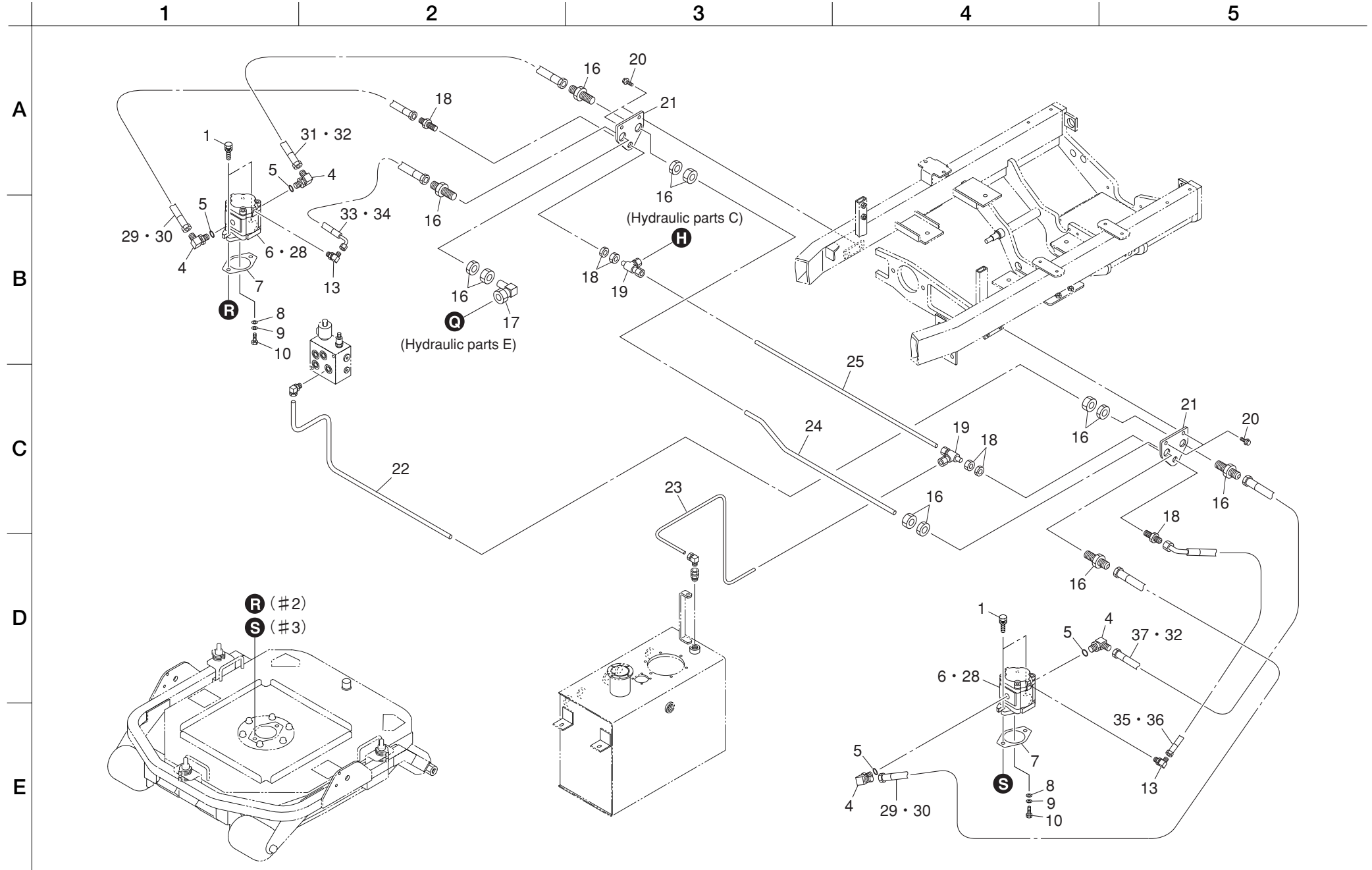


### 14. Hydraulic parts E





### 15. Hydraulic parts F

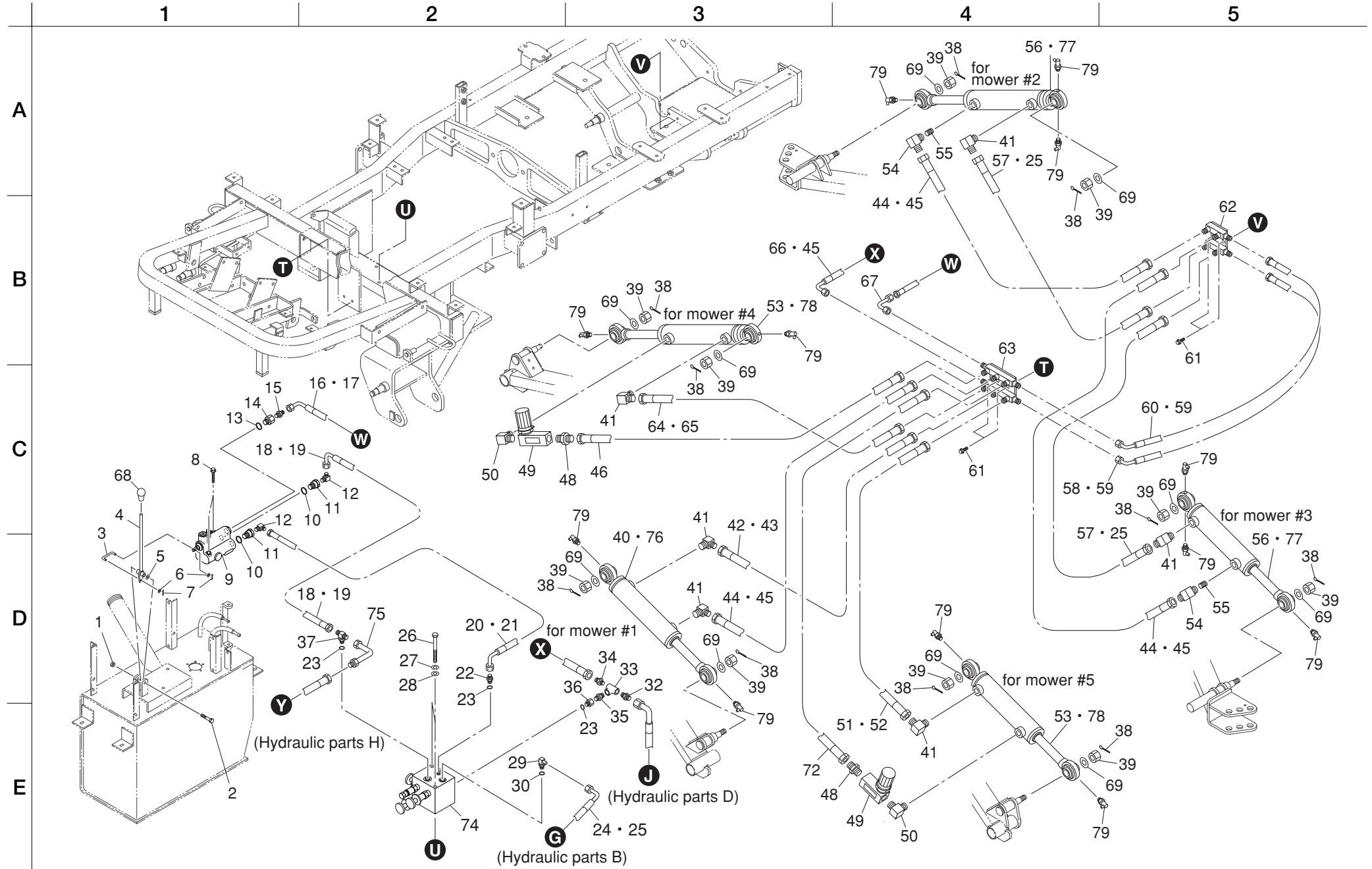




Cat No.	Code No.	Part Name	Qty	Remark
15-1	K0007100252	10 bolt 25SW	4	
15-2				
15-3				
15-4	K3008000042-Y	90 adjuster elbow 1086-12	4	
15-5	K0881018000	O-ring P18B	4	
15-6	K3280000280	gear motor MB5LK381	2	
15-7	K4011000290	packing	2	
15-8	K5012306162	2.3SPCC metal washer 616	2	
15-9	K0200060002	6S washer	2	
15-10	K0000060122	6 bolt 12	2	
15-11				
15-12				
15-13	K3008000442-Y	90 adjuster elbow 1086-6	2	
15-14				
15-15				
15-16	K3026916081-Y	bulkhead union KUE16-040E	4	
15-17	K3027116001-Y	elbow KLC16-000E	1	
15-18	K3026910041-Y	bulkhead union KUE10-020E	2	
15-19	K3027210001-Y	tee KTC-000E	2	
15-20	K0021080202	8 bolt with flange 20	4	
15-21	GM2800-0831ZD	fitting mounting plate B	2	
15-22	GM2800-0829Z2-Y	pipe U	1	
15-23	GM2800-0822Z2-Y	pipe N	1	
15-24	GM2800-0823Z2-Y	pipe O	1	
15-25	GM2800-0821Z2-Y	pipe M	1	
15-26				
15-27				
15-28	YCG0047A	gear motor seal kit	2	
15-29	K3103411050	WP140-12 hose 1-1050	2	
15-30	K3191009500	SP-15 coil tube 950	2	
15-31	K3103411000	WP140-12 hose 1-1000	1	
15-32	K3191009000	SP-15 coil tube 900	2	
15-33	K3101231000	WP70-6 hose 3-1000	1	
15-34	K3190009000	SP-12 coil tube 900	1	
15-35	K3101220900	WP70-6 hose 2-900	1	

Cat No.	Code No.	Part Name	Qty	Remark
15-36	K3190008000	SP-12 coil tube 800	1	
15-37	K3105411000	WP210-12 hose 1-1000	1	

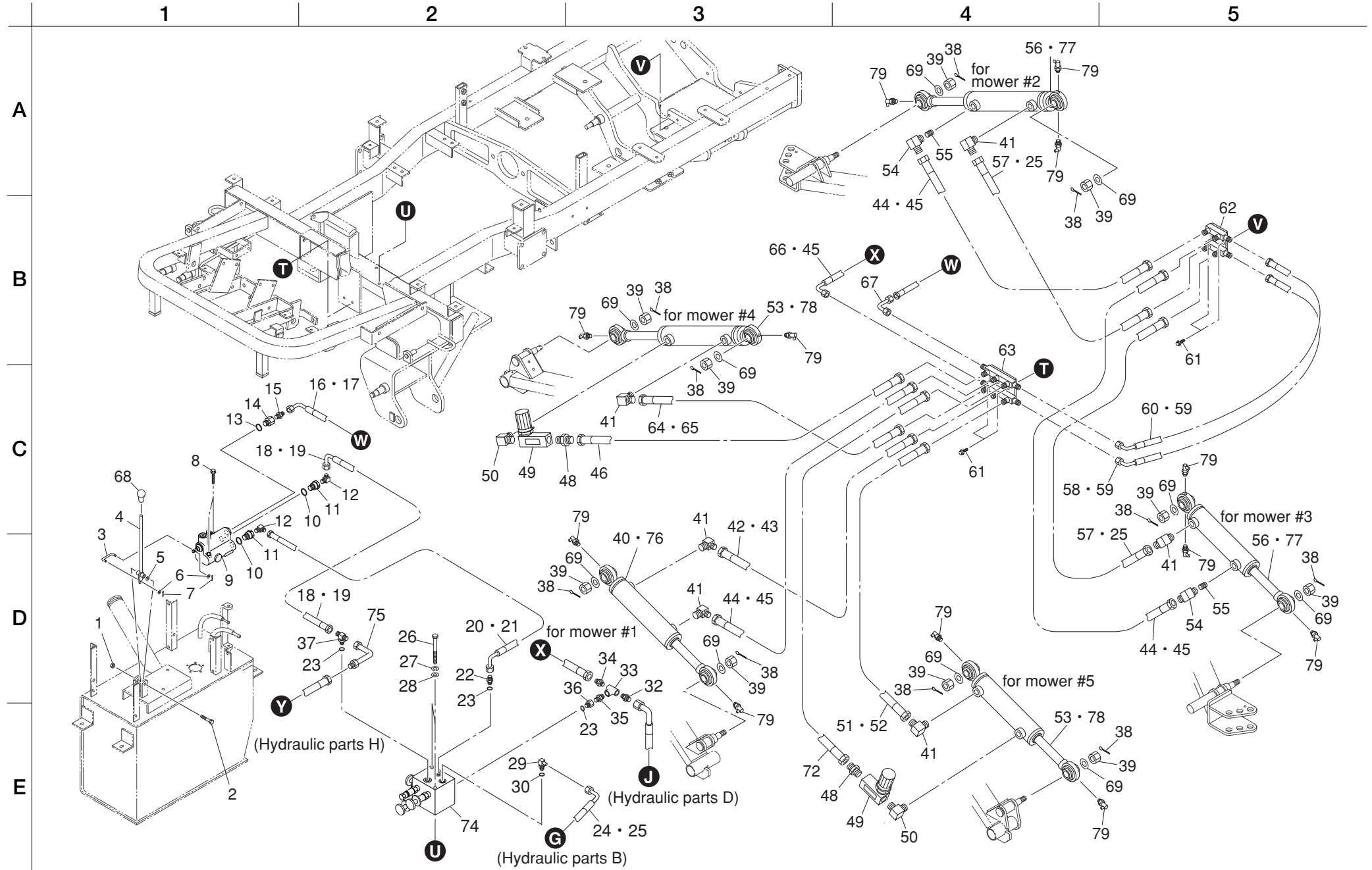
### 16. Hydraulic parts G



Cat No.	Code No.	Part Name	Qty	Remark
16-1	K0144080002	8U nut	1	
16-2	K0003080502	8 bolt 50	1	
16-3	GM2800-0805Z2	rod	1	
16-4	GM2800-0804Z2	raise/lower lever	1	
16-5	K5000080002	8 washer	1	
16-6	K5000050002	5 washer	2	
16-7	K0300016102	1.6 split pin 10	2	
16-8	K0021060402	6 bolt with flange 40	2	
16-9	K3321000030	control valve	1	
16-10	K0887009080	O-ring AS568-908	2	
16-11	K3008000692-Y	O-ring connector 4043-8-8	2	
16-12	K3006000022-Y	different diameter elbow PT1/2PF3/8	2	
16-13	K0887009060	O-ring AS568-906	1	
16-14	K3008000242-Y	9/16-18UNFPT3/8	1	
16-15	K3007000062-Y	different diameter adaptor PT3/8PF1/4	1	
16-16	K3103230700	WP140-6 hose 3-700	1	
16-17	K3190006000	SP-12 coil tube 600	1	
16-18	K3103330600	WP140-9 hose 3-600	1	
16-19	K3191005000	SP-15 coil tube 500	1	
16-20	K3103330400	WP140-9 hose 3-400	1	
16-21	K3191003000	SP-15 coil tube 300	1	
16-22	K3009000142-Y	special adaptor PF3/8PF3/8	1	
16-23	K0881014000	O-ring P14B	3	
16-24	K3106230400	WP245-6 hose 3-400	1	
16-25	K3190003000	SP-12 coil tube 300	3	
16-26	K0003101202	10 bolt 120	2	
16-27	K0200100002	10S washer	2	
16-28	K5000100002	10 washer	2	
16-29	K3008000442-Y	90 adjuster elbow 1086-6	1	
16-30	K0881011000	O-ring P11B	1	
16-31				
16-32	K3000090002-Y	adaptor 1013-9	1	
16-33	K3024000042-Y	cast-iron screwed type tee PT3/8	1	
16-34	K3009000042-Y	special adaptor PF1/4PT3/8	1	
16-35	K3023060001-Y	nipple NSPT3/8	1	

Cat No.	Code No.	Part Name	Qty	Remark
16-36	K3029000072-Y	special bushing PF3/8PT3/8	1	
16-37	K3008000682-Y	O-ring boss stay 1087-9	1	
16-38	K0300032402	3.2 split pin 40	10	
16-39	K0122160002	16 slotted high nut P1.5	10	
16-40	K3212000470	40-138 cylinder 359	1	
16-41	K3001060002-Y	90 elbow 1033-6	6	
16-42	K3101210600	WP70-6 hose 1-600	1	
16-43				
16-44	K3103210500	WP140-6 hose 1-500	3	
16-45	K3190004000	SP-12 coil tube 400	4	
16-46	GM2800-0860Z0	WP140-6 hose 1-1000	1	
16-47				
16-48	K3000060002-Y	adaptor 1013-6	2	
16-49	K3332000050	slow return valve HF02172	2	
16-50	K3006000042-Y	same diameter elbow PT1/4	2	
16-51	K3101210750	WP70-6 hose 1-750	1	
16-52	K3190006500	SP-12 coil tube 650	1	
16-53	K3212000490	45-195 cylinder 397	2	
16-54	K3029000252-Y	90 elbow 1033-6M6	2	
16-55	K0023000011	6 hollow set screw 6-1	2	
16-56	K3212000480	45-110 cylinder 270	2	
16-57	K3101210400	WP70-6 hose 1-400	2	
16-58	K3101222000	WP70-6 hose 2-2000	1	
16-59	K3190019000	SP-12 coil tube 1900	2	
16-60	K3103222000	WP140-6 hose 2-2000	1	
16-61	K0021080202	8 bolt with flange 20	4	
16-62	GM2800-0803Z2-Y	manifold	1	
16-63	GM2800-0802Z2-Y	manifold	1	
16-64	K3101210850	WP70-6 hose 1-850	1	
16-65	K3190007500	SP-12 coil tube 750	1	
16-66	K3101230500	WP70-6 hose 3-500	1	
16-67	K3025069042-Y	pipe adaptor 069-04	1	
16-68	K1300000040	9 grip black 35.5	1	
16-69	K0215160001	16 metal washer with conical disk spring 2H	10	
16-70				

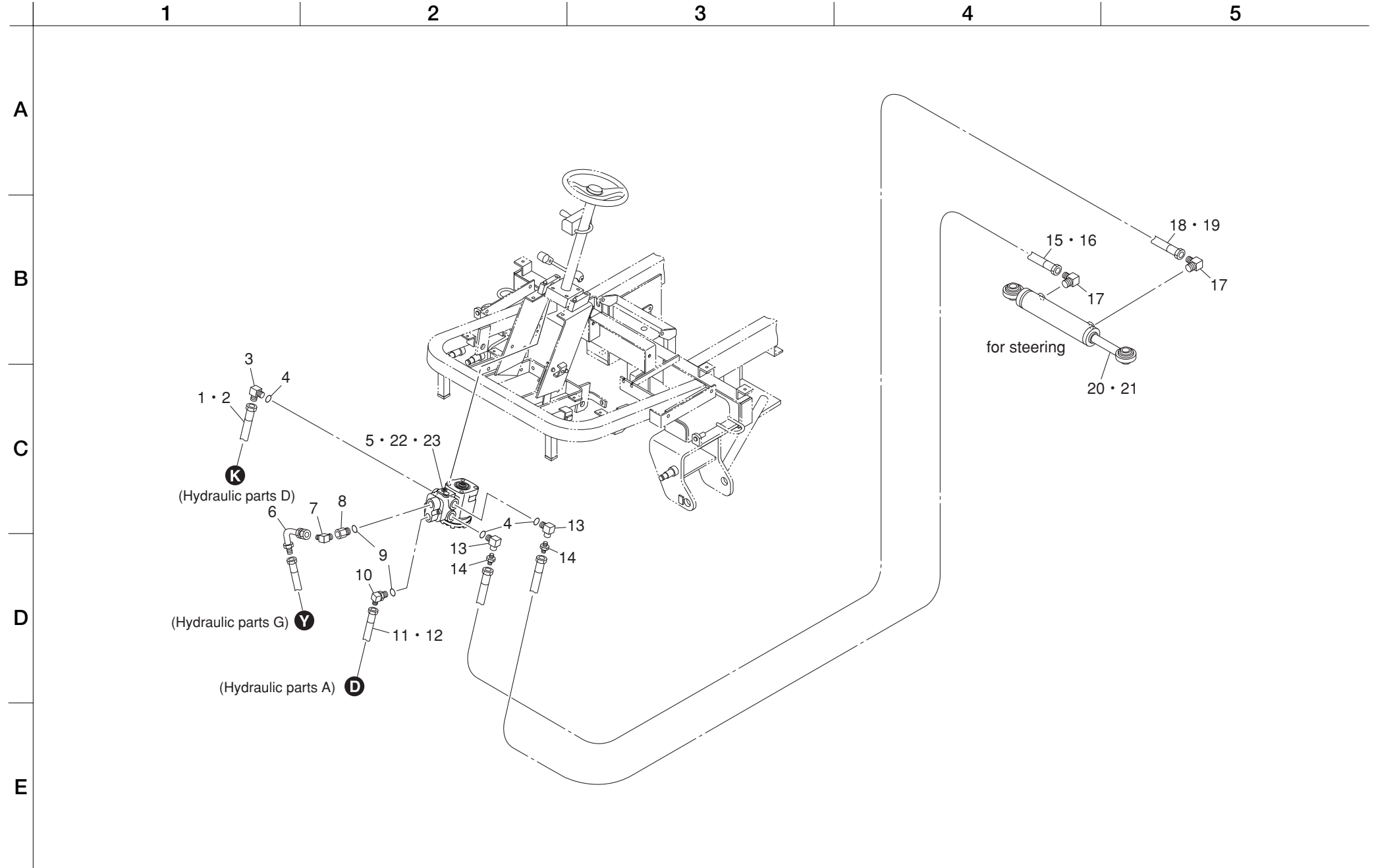
### 16. Hydraulic parts G



Cat No.	Code No.	Part Name	Qty	Remark
16-71				
16-72	GM2800-0861Z0	WP140-6 hose 1-940	1	
16-73				
16-74	K3313000330	solenoid valve V5317 COMP	1	
16-75	K3025069082	pipe adaptor 069-08	1	
16-76	Y80209-00301	cylinder seal kit	1	
16-77	Y80209-61301	cylinder seal kit	2	
16-78	Y80209-75201	cylinder seal kit	2	
16-79	K1440000020	C-shaped grease nipple	12	

Cat No.	Code No.	Part Name	Qty	Remark

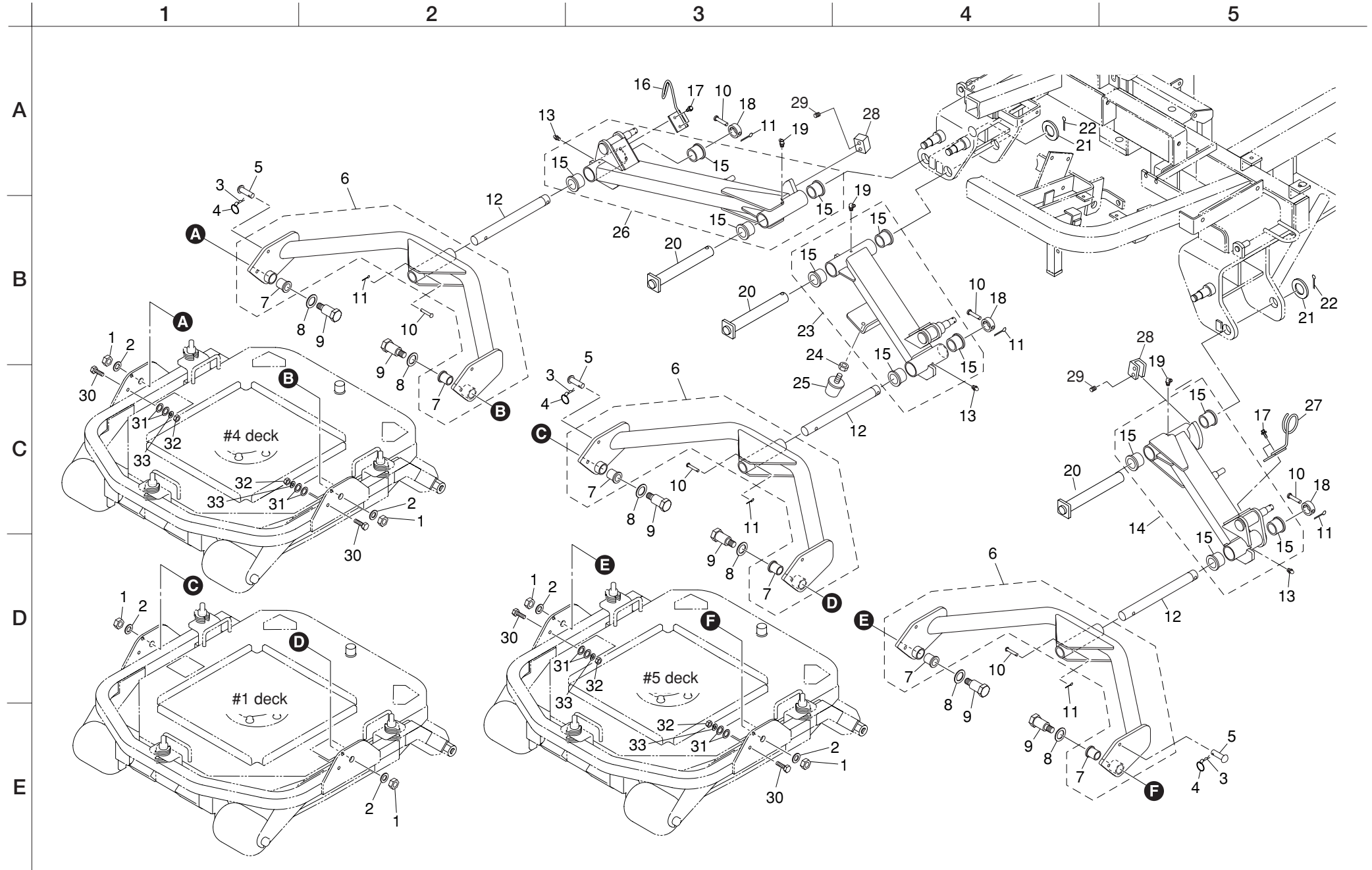
### 17. Hydraulic parts H



Cat No.	Code No.	Part Name	Qty	Remark
17-1	K3101311850	WP70-9 hose 1-1850	1	
17-2	K3191017500	SP-15 coil tube 1750	1	
17-3	K3008000032-Y	90 adjuster elbow 1086-9	1	
17-4	K0881014000	O-ring P14B	3	
17-5	K3294000120	orbit roll LC-D1-E	1	
17-6	K3025069062-Y	pipe adaptor 069-06	1	
17-7	K3029000042-Y	special bushing PF1/2PT3/8	1	
17-8	K3001090002-Y	90 elbow 1033-9	1	
17-9	K0881018000	O-ring P18B	2	
17-10	K3008000352-Y	90 different diameter elbow PF3/8PF1/2	1	
17-11	K3103311050	WP140-9 hose 1-1050	1	
17-12	K3191009500	SP-15 coil tube 950	1	
17-13	K3008000082-Y	90 adjuster elbow PF3/8PT1/4	2	
17-14	K3000060002-Y	adaptor 1013-6	2	
17-15	K3103213300	WP140-6 hose 1-3300	1	
17-16	K3190032000	SP-12 coil tube 3200	1	
17-17	K3001060002-Y	90 elbow 1033-6	2	
17-18	K3103213500	WP140-6 hose 1-3500	1	
17-19	K3190034000	SP-12 coil tube 3400	1	
17-20	K3212000420	40-187 cylinder 393	1	
17-21	80209-00301	cylinder seal kit	1	
17-22	YBA0271A	orbit roll UA-B4-D seal kit	1	
17-23	YBK0039A	orbit roll seal kit for LB-D1-A	1	

Cat No.	Code No.	Part Name	Qty	Remark

### 18. Lift arm front parts

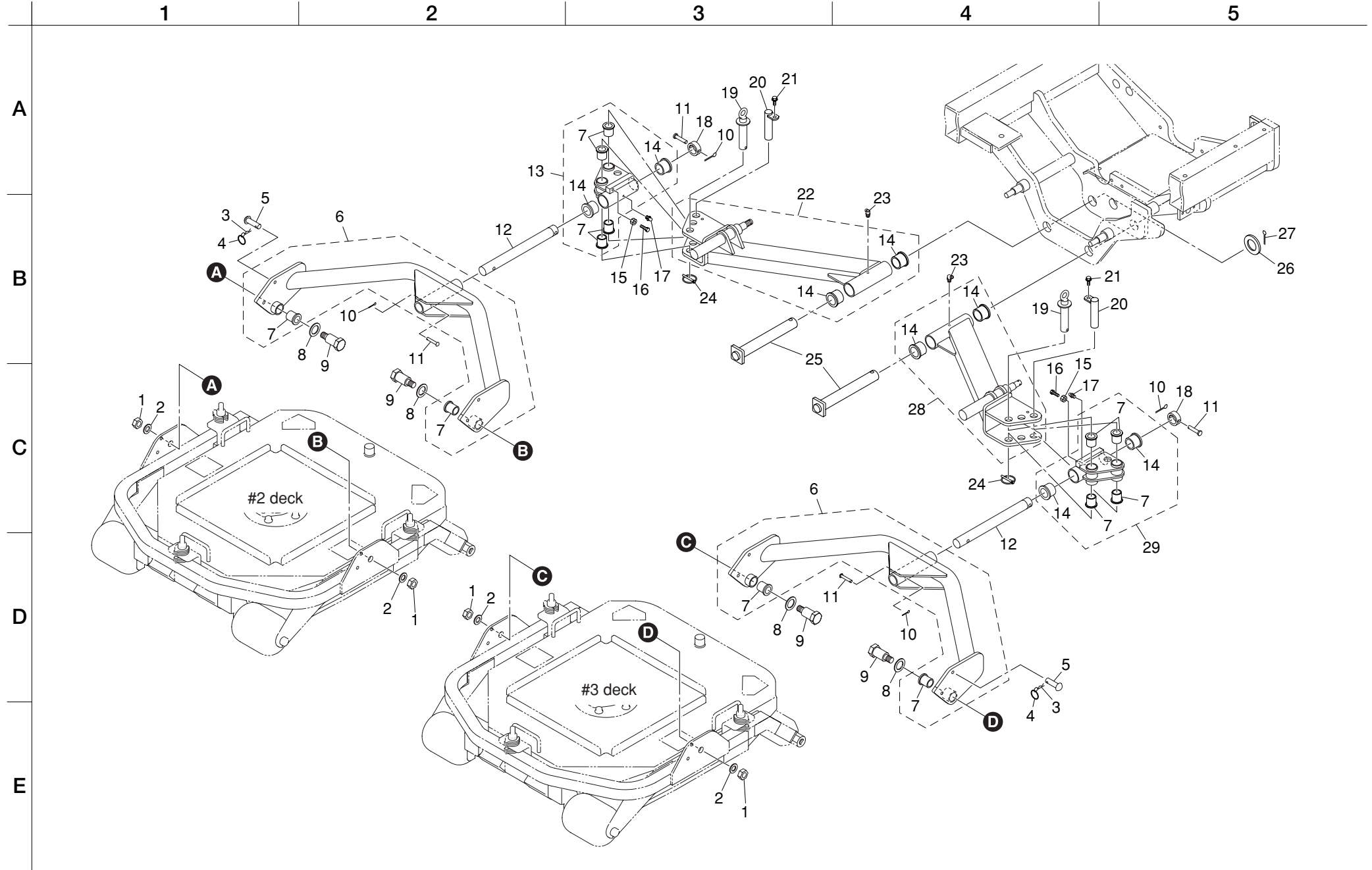




Cat No.	Code No.	Part Name	Qty	Remark
18-1	K0103140002	14 nut P1.5	6	
18-2	K0200140002	14S washer	6	
18-3	K0330800008	8 snap pin	3	
18-4	K0880016000	O-ring P16	3	
18-5	K6041080258	8 hardened flat head pin 25.6	3	
18-6	GM2800-0201ZD	deck arm	3	
18-7	K6010000130	22 flange bush 2830	6	
18-8	K5011022352	1SPCC metal washer 2235	6	
18-9	GM2800-0207Z2	step bolt	6	
18-10	GM2800-0210Z8	9.6 hardened flat head pin 54.5	6	
18-11	K0300025202	2.5 split pin 20	6	
18-12	GM2800-0208Z0	shaft	3	
18-13	K1440000010	grease nipple	3	
18-14	GM2800-0206ZD	#5 lift arm	1	
18-15	K6010000140	30 flange bush 3830	12	
18-16	LM2700-0232Z2	hose guide B	1	
18-17	K0021080202	8 bolt with flange 20	4	
18-18	GM2800-0209Z2	collar	3	
18-19	K1440000030	B-shaped grease nipple	3	
18-20	K7147000232	30 pin with hole 196	3	
18-21	K5012330452	2.3SPCC metal washer 3045	3	
18-22	K0300040402	4 split pin 40	3	
18-23	GM2800-0202ZD	#1 lift arm	1	
18-24	K0151100002	10 nut with flange	1	
18-25	K4049050000	rubber stopper KI-50	1	
18-26	GM2800-0205ZD	#4 lift arm	1	
18-27	LM2700-0233Z2	hose guide C	1	
18-28	GM2800-0215Z2	mower stopper	2	
18-29	K0023060101	6 hollow set screw10	4	
18-30	K0010080202	8 heat-treated bolt 20	4	
18-31	K5073208322	3.2SPHC metal washer 832	8	
18-32	K0100080002	8 nut	4	
18-33	K0200080002	8S washer	4	

Cat No.	Code No.	Part Name	Qty	Remark

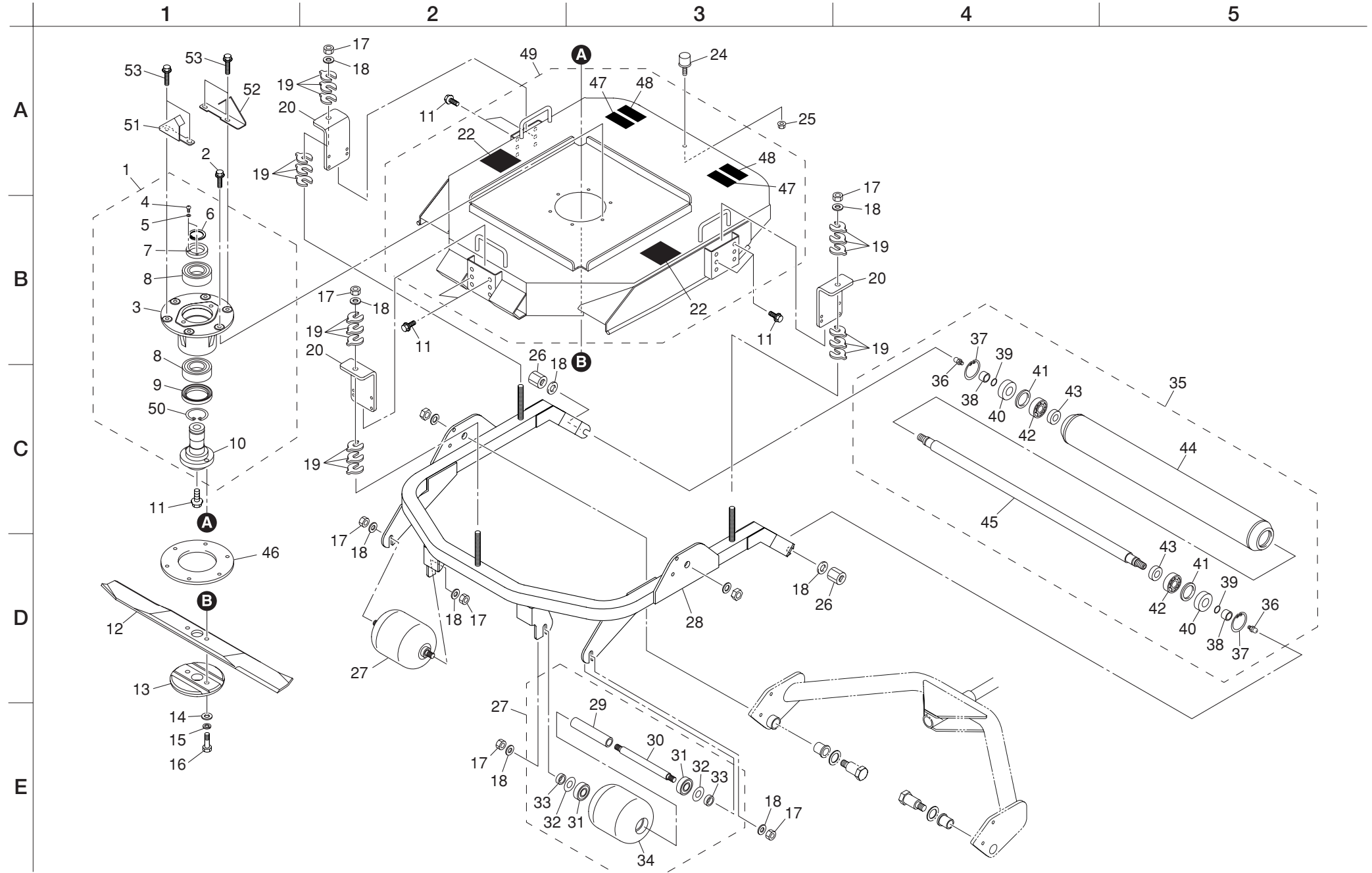
### 19. Lift arm rear parts



Cat No.	Code No.	Part Name	Qty	Remark
19-1	K0103140002	14 nut P1.5	4	
19-2	K0200140002	14S washer	4	
19-3	K0330800008	8 snap pin	2	
19-4	K0880016000	O-ring P16	2	
19-5	K6041080258	8 hardened flat head pin 25.6	2	
19-6	GM2800-0201ZD	deck arm	2	
19-7	K6010000130	22 flange bush 2830	12	
19-8	K5011022352	1SPCC metal washer 2235	4	
19-9	GM2800-0207Z2	step bolt	4	
19-10	K0300025202	2.5 split pin 20	4	
19-11	GM2800-0210Z8	9.6 hardened flat head pin 54.5	4	
19-12	GM2800-0208Z0	shaft	2	
19-13	GM2800-0212ZD	#2 rotation fitting	1	
19-14	K6010000140	30 flange bush 3830	8	
19-15	K0100080002	8 nut	2	
19-16	K0000080302	8 bolt 30	2	
19-17	K1440000010	grease nipple	2	
19-18	K6215000362	30STKM collar with hole 4216	2	
19-19	GM2800-0213Z2	pin with grip	2	
19-20	LM2700-0211A2	rear rotation shaft	2	
19-21	K0021080152	8 bolt with flange 15	2	
19-22	GM2800-0203ZD	#2 lift arm	1	
19-23	K1440000030	B-shaped grease nipple	2	
19-24	K6061060002	6 clip pin	2	
19-25	K7147000232	30 pin with hole 196	2	
19-26	K5012330452	2.3SPCC metal washer 3045	2	
19-27	K0300040402	4 split pin 40	2	
19-28	GM2800-0204ZD	#3 lift arm	1	
19-29	GM2800-0211ZD	#3 rotation fitting	1	

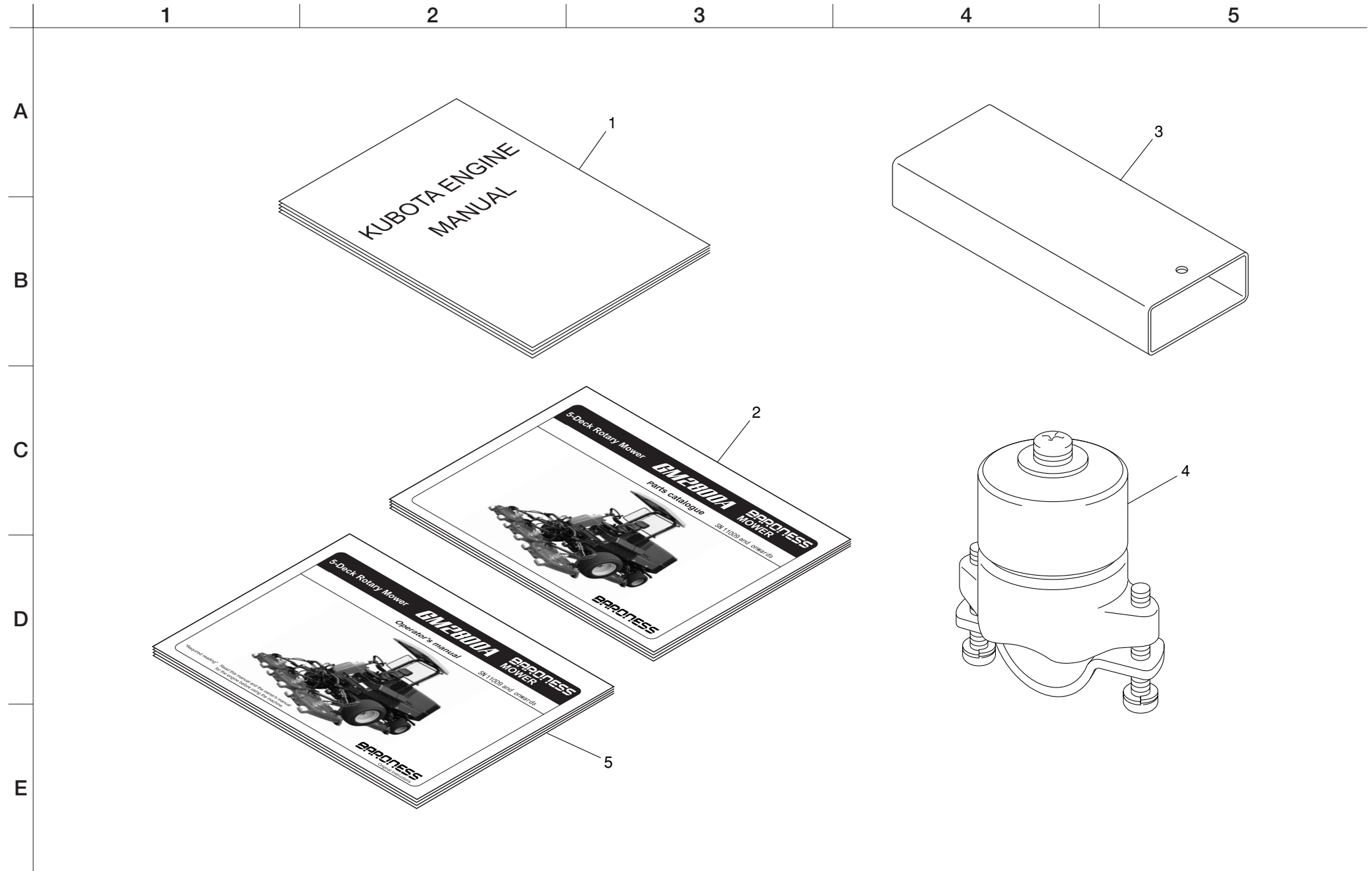
Cat No.	Code No.	Part Name	Qty	Remark

20. Deck parts





21. Accessory parts



Cat No.	Code No.	Part Name	Qty	Remark
21-1	PF1G174-8911-1	Kubota V2003 instructions for use	1	
21-2	750102-47-B	GM2800A parts catalogue	1	
21-3	GM2800-1002ZD	square pipe	1	
21-4	K4802000050	balancer Ass'y	1	
21-5	750102-47-A	GM2800A operator's manual	1	

Cat No.	Code No.	Part Name	Qty	Remark

**Postadress:**

TRÄDGÅRDSTEKNIK AB  
Helsingborgsvägen 578, Varalöv  
262 96 ÄNGELHOLM

Telefon : 0431-222 90  
Bg.nr : 5743-7980  
Org.nr : 556409-6120

**URL:**

[www.tradgardsteknik.se](http://www.tradgardsteknik.se)  
E-postadress:  
[info@tradgardsteknik.se](mailto:info@tradgardsteknik.se)